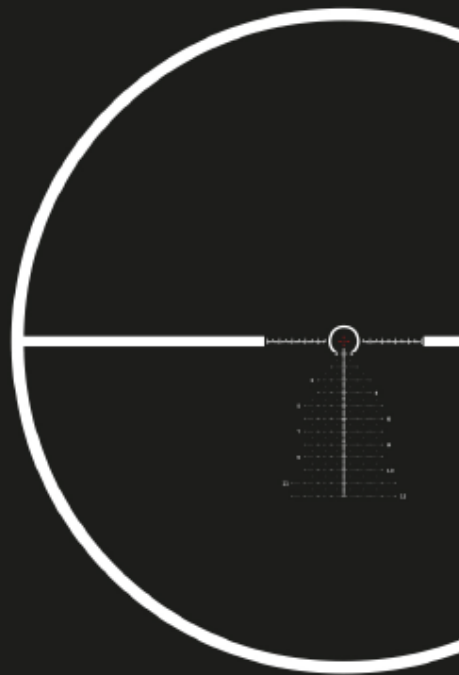




# MEOPTA ABSEHEN



# INHALT

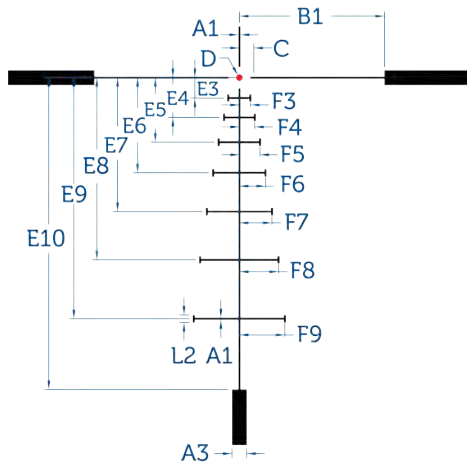
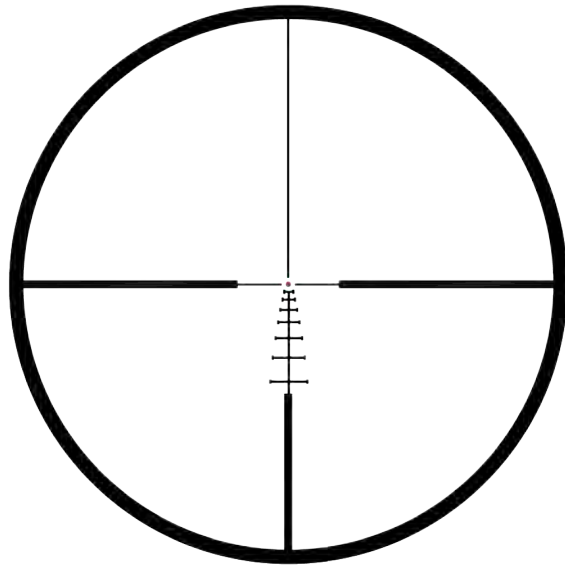
Absehen	<b>.223 RD</b>	Seite 4
Absehen	<b>.308 RD</b>	Seite 5
Absehen	<b>1</b>	Seite 6
Absehen	<b>4</b>	Seite 7
Absehen	<b>4A</b>	Seite 8
Absehen	<b>4B</b>	Seite 9
Absehen	<b>4C</b>	Seite 10
Absehen	<b>4C Dichro</b>	Seite 11
Absehen	<b>4C Dichro 2</b>	Seite 12
Absehen	<b>4D Dichro</b>	Seite 13
Absehen	<b>4K</b>	Seite 14
Absehen	<b>6.5 Creemoor Dichro</b>	Seite 15
Absehen	<b>6.5 Creedmoor RD</b>	Seite 16
Absehen	<b>762 NATO</b>	Seite 17
Absehen	<b>BDC</b>	Seite 18
Absehen	<b>BDC-2</b>	Seite 19
Absehen	<b>BDC-3</b>	Seite 20
Absehen	<b>BDC/a, BDC/b</b>	Seite 21
Absehen	<b>BDC Dichro</b>	Seite 22
Absehen	<b>BDC RD</b>	Seite 23
Absehen	<b>K-5.56 ZD</b>	Seite 24

Absehen	<b>KDot</b>	Seite 25
Absehen	<b>KDot 2</b>	Seite 26
Absehen	<b>KDot Dichro</b>	Seite 27
Absehen	<b>KDot RD</b>	Seite 28
Absehen	<b>McWhorter HV</b>	Seite 29
Absehen	<b>McWhorter MV</b>	Seite 30
Absehen	<b>MilDot</b>	Seite 31
Absehen	<b>MilDot 2</b>	Seite 32
Absehen	<b>MilDot 3</b>	Seite 33
Absehen	<b>MilDot Special</b>	Seite 34
Absehen	<b>MMD</b>	Seite 35
Absehen	<b>MRad RD</b>	Seite 36
Absehen	<b>MRad1 RD</b>	Seite 37
Absehen	<b>MRad2 RD</b>	Seite 38
Absehen	<b>MT 223</b>	Seite 39
Absehen	<b>MT 308</b>	Seite 40
Absehen	<b>Windmax 8</b>	Seite 41
Absehen	<b>ZPlex</b>	Seite 42
Absehen	<b>ZPlex II</b>	Seite 43
Absehen	<b>ZPlus</b>	Seite 44
Absehen	<b>ZPlus RD</b>	Seite 45

## .223 RD

RD illuminated.

The .223 reticle is specifically designed to push your MSR to its limits. This MOA based reticle has graduated holdovers to compensate for bullet trajectory out to 1,000 yards and wind hold-offs for a 5MPH crosswind at those distances.



MeoPro Optika6 1-6x24 RD FFP

	Dimensions				
	cm/100m	in/100yd	MOA	mRad	Power
A1	1,0	0,36	0,34	0,10	
A3	7,3	2,62	2,50	0,73	
B1	58,2	20,94	20,00	5,82	
C	8,1	2,93	2,80	0,81	
D	3,5	1,26	1,20	0,35	
E10	124,9	44,96	42,93	12,49	
E3	8,1	2,93	2,80	0,81	
E4	15,9	5,73	5,47	1,59	
E5	25,8	9,30	8,88	2,58	
E6	38,1	13,72	13,10	3,81	
E7	53,6	19,31	18,44	5,36	
E8	72,9	26,23	25,05	7,29	
E9	96,5	34,73	33,16	9,65	
F3	4,5	1,60	1,53	0,45	
F4	6,2	2,22	2,12	0,62	
F5	8,3	2,98	2,85	0,83	
F6	10,5	3,78	3,61	1,05	
F7	13,1	4,70	4,49	1,31	
F8	15,7	5,65	5,40	1,57	
F9	18,3	6,58	6,28	1,83	
L2	2,9	1,05	1,00	0,29	

MeoPro Optika6 3-18x50 RD FFP

	Dimensions				
	cm/100m	in/100yd	MOA	mRad	Power
A1	0,7	0,26	0,25	0,07	
A3	5,8	2,09	2,00	0,58	
B1	58,2	20,94	20,00	5,82	
C	5,8	2,09	2,00	0,58	
D	2,3	0,84	0,80	0,23	
E10	124,9	44,96	42,93	12,49	
E3	8,1	2,93	2,80	0,81	
E4	15,9	5,73	5,47	1,59	
E5	25,8	9,30	8,88	2,58	
E6	38,1	13,72	13,10	3,81	
E7	53,6	19,31	18,44	5,36	
E8	72,9	26,23	25,05	7,29	
E9	96,5	34,73	33,16	9,65	
F3	4,5	1,60	1,53	0,45	
F4	6,2	2,22	2,12	0,62	
F5	8,3	2,98	2,85	0,83	
F6	10,5	3,78	3,61	1,05	
F7	13,1	4,70	4,49	1,31	
F8	15,7	5,65	5,40	1,57	
F9	18,3	6,58	6,28	1,83	
L2	2,9	1,05	1,00	0,29	

MeoPro Optika6 1-6x24 RD SFP  
MeoPro Optika6 2,5-15x44 RD SFP  
MeoPro Optika6 3-18x50 RD SFP  
MeoPro Optika6 4,5-27x50 RD SFP

	Dimensions				
	cm/100m	in/100yd	MOA	mRad	Power
A1	0,7	0,26	0,25	0,07	6x
A3	5,8	2,09	2,00	0,58	6x
B1	58,2	20,94	20,00	5,82	6x
C	4,4	1,57	1,50	0,44	6x
D	2,3	0,84	0,80	0,23	6x
E10	124,9	44,96	42,93	12,49	6x
E3	8,1	2,93	2,80	0,81	6x
E4	15,9	5,73	5,47	1,59	6x
E5	25,8	9,30	8,88	2,58	6x
E6	38,1	13,72	13,10	3,81	6x
E7	53,6	19,31	18,44	5,36	6x
E8	72,9	26,23	25,05	7,29	6x
E9	96,5	34,73	33,16	9,65	6x
F3	4,5	1,60	1,53	0,45	6x
F4	6,2	2,22	2,12	0,62	6x
F5	8,3	2,98	2,85	0,83	6x
F6	10,5	3,78	3,61	1,05	6x
F7	13,1	4,70	4,49	1,31	6x
F8	15,7	5,65	5,40	1,57	6x
F9	18,3	6,58	6,28	1,83	6x
L2	2,9	1,05	1,00	0,29	6x

MeoPro Optika6 4,5-27x50 RD FFP

	Dimensions				
	cm/100m	in/100yd	MOA	mRad	Power
A1	0,5	0,19	0,18	0,05	
A3	4,4	1,57	1,50	0,44	
B1	58,2	20,94	20,00	5,82	
C	4,4	1,57	1,50	0,44	
D	1,5	0,52	0,50	0,15	
E10	124,9	44,96	42,93	12,49	
E3	8,1	2,93	2,80	0,81	
E4	15,9	5,73	5,47	1,59	
E5	25,8	9,30	8,88	2,58	
E6	38,1	13,72	13,10	3,81	
E7	53,6	19,31	18,44	5,36	
E8	72,9	26,23	25,05	7,29	
E9	96,5	34,73	33,16	9,65	
F3	4,5	1,60	1,53	0,45	
F4	6,2	2,22	2,12	0,62	
F5	8,3	2,98	2,85	0,83	
F6	10,5	3,78	3,61	1,05	
F7	13,1	4,70	4,49	1,31	
F8	15,7	5,65	5,40	1,57	
F9	18,3	6,58	6,28	1,83	
L2	2,9	1,05	1,00	0,29	

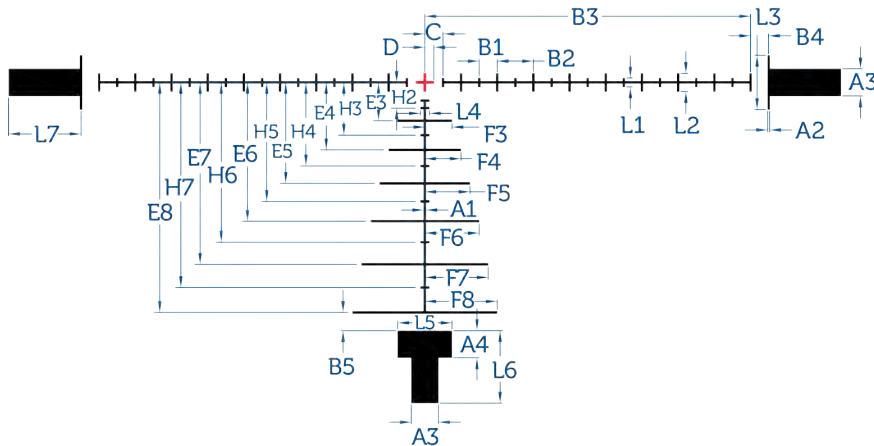
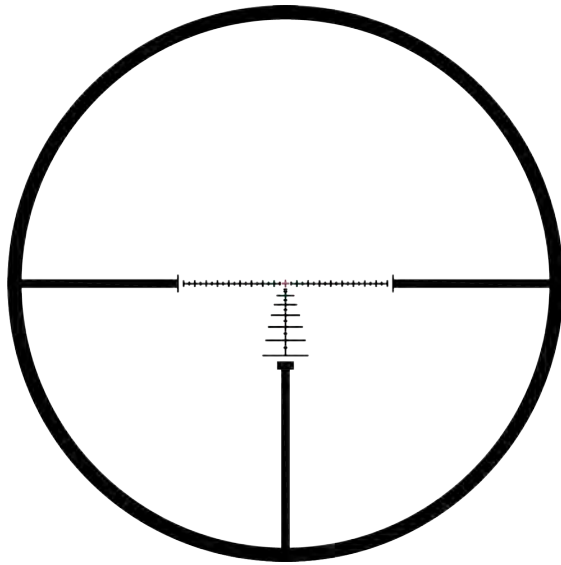
Reticle dimensions based off: .223 FEDERAL, 55 grs NOSLER BT, 988 m/s (3241 fps), BC 0,268, 100 yard zero



# .308 RD

RD illuminated.

Meopta's .308 reticle design helps shooters have more confidence at longer ranges by incorporating MOA based holdovers and hold-overs. 2-MOA graduations on the horizontal crosshair allow for easier wind holds or for estimating range on targets of known size.



MeoPro Optika6 4,5-27x50 RD FFP

MeoPro Optika6 5-30x56 RD FFP

	Dimensions				
	cm/100m	in/100yd	MOA	mRad	Power
A1,A2	0,5	0,19	0,18	0,05	
A3,A4	5,8	2,09	2,00	0,58	
B1,B4, B5,C	5,8	2,09	2,00	0,58	6x
B2,F4	11,6	4,19	4,00	1,16	6x
B3	104,7	37,70	36,00	10,47	6x
D,L1, L4	2,9	1,05	1,00	0,29	6x
E3	12,3	4,43	4,23	1,23	6x
E4	21,7	7,80	7,45	2,17	6x
E5	32,4	11,68	11,15	3,24	6x
E6	44,5	16,03	15,31	4,45	6x
E7	58,3	21,00	20,05	5,83	6x
E8	73,8	26,58	25,38	7,38	6x
F3,L2	8,7	3,14	3,00	0,87	6x
F5	14,5	5,24	5,00	1,45	6x
F6,L3, L5	17,5	6,28	6,00	1,75	6x
F7	20,4	7,33	7,00	2,04	6x
F8,L6, L7	23,3	8,38	8,00	2,33	6x
H2	8,2	2,96	2,83	0,82	6x
H3	16,9	6,08	5,81	1,69	6x
H4	26,8	9,67	9,23	2,68	6x
H5	38,2	13,76	13,14	3,82	6x
H6	51,2	18,44	17,61	5,12	6x
H7	65,8	23,68	22,61	6,58	6x

MeoPro Optika6 2,5-15x44 RD SFP

MeoPro Optika6 3-18x50 RD FFP

MeoPro Optika6 4,5-27x50 RD SFP

	Dimensions				
	cm/100m	in/100yd	MOA	mRad	Power
A1,A2	0,7	0,26	0,25	0,07	6x
A3,A4, F3,L2	8,7	3,14	3,00	0,87	6x
B1,B4, B5,C	5,8	2,09	2,00	0,58	6x
B2,F4	11,6	4,19	4,00	1,16	6x
B3	104,7	37,70	36,00	10,47	6x
D,L1, L4	2,9	1,05	1,00	0,29	6x
E3	12,3	4,43	4,23	1,23	6x
E4	21,7	7,80	7,45	2,17	6x
E5	32,4	11,68	11,15	3,24	6x
E6	44,5	16,03	15,31	4,45	6x
E7	58,3	21,00	20,05	5,83	6x
E8	73,8	26,58	25,38	7,38	6x
F5	14,5	5,24	5,00	1,45	6x
F6,L3, L5	17,5	6,28	6,00	1,75	6x
F7	20,4	7,33	7,00	2,04	6x
F8,L6, L7	23,3	8,38	8,00	2,33	6x
H2	8,2	2,96	2,83	0,82	6x
H3	16,9	6,08	5,81	1,69	6x
H4	26,8	9,67	9,23	2,68	6x
H5	38,2	13,76	13,14	3,82	6x
H6	51,2	18,44	17,61	5,12	6x
H7	65,8	23,68	22,61	6,58	6x

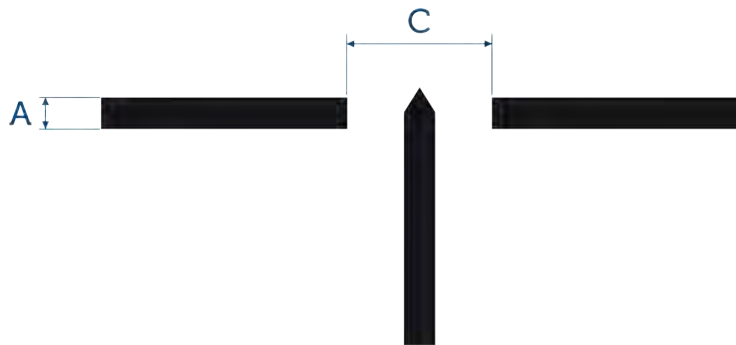
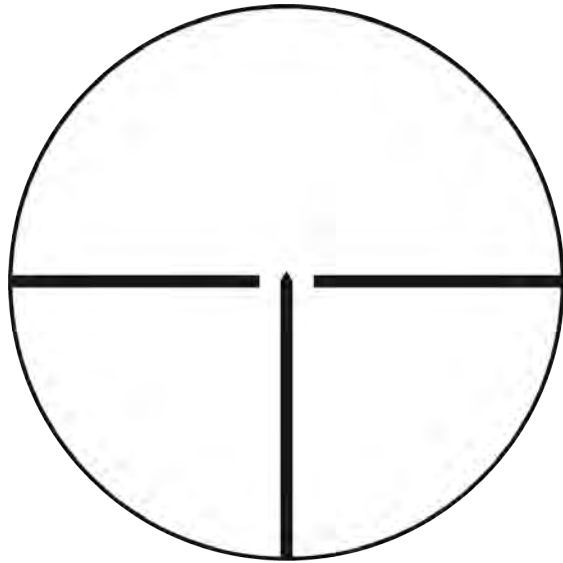
Reticle dimensions based off: .308W, 180 gr / TXRG / HPBT (SELLIER BELLOT), 800m/s (2624 fps), BC 0,48, 100 yard zero

Subtentions in MeoPro Optika6 3-18x50 RD FFP valid for all powers.



1

Classic European reticle designed for low-light shooting and accurate target acquisition. The pointed centerpost provides a solid, sharp point of reference on the intended target.



- Artemis 2000 1,5-6x42
- Artemis 2000 2-8x42
- Artemis 2000 3-12x50
- Artemis 2000 3-9x42
- Artemis 2000 4x32
- Artemis 2000 6x42
- Artemis 2000 7x50
- Artemis 3000 3-9x42
- MeoPro 6x42
- MeoStar R1 7x56

	Dimensions				
	cm/100m	in/100yd	MOA	mRad	Power
A	20,0	7,20	6,88	2,00	
C	70,0	25,20	24,06	7,00	

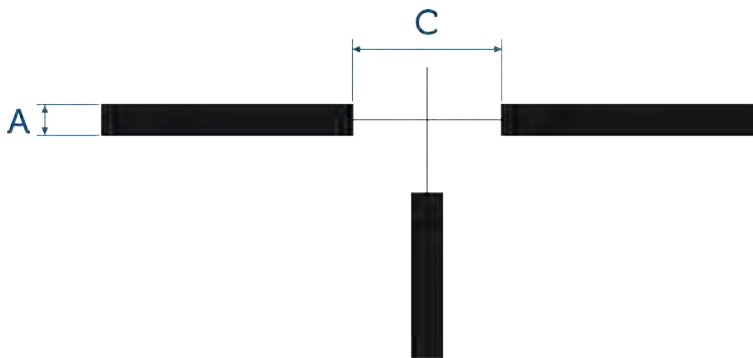
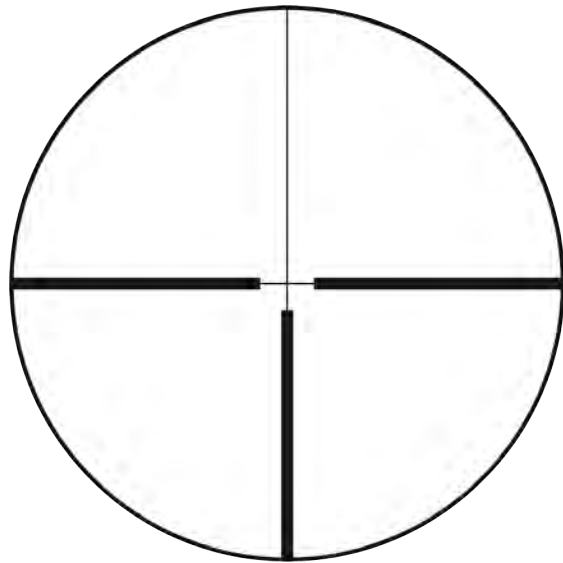
- MeoStar R1 1-4x22
- MeoStar R1 3-10x50
- MeoStar R1 4-12x40

	Dimensions				
	cm/100m	in/100yd	MOA	mRad	Power
A	20,0	7,20	6,88	2,00	4x
C	70,0	25,20	24,06	7,00	4x

- MeoStar R1 3-12x56

	Dimensions				
	cm/100m	in/100yd	MOA	mRad	Power
A	12,0	4,32	4,13	1,20	
C	70,0	25,20	24,06	7,00	

Time tested reticle and favorite of many hunters for fast target acquisition and lower light applications.



**MeoStar R1r 3-12x56**

	Dimensions				
	cm/100m	in/100yd	MOA	mRad	Power
A	10,0	3,60	3,44	1,00	4x
C	70,0	25,20	24,06	7,00	4x

**Artemis 2000 2-8x42**

	Dimensions				
	cm/100m	in/100yd	MOA	mRad	Power
A	20,0	7,20	6,88	2,00	
C	70,0	25,20	24,06	7,00	
E	1,8	0,65	0,62	0,18	

**Artemis 2000 1,5-6x42**

	Dimensions				
	cm/100m	in/100yd	MOA	mRad	Power
A	20,0	7,20	6,88	2,00	
C	70,0	25,20	24,06	7,00	
E	2,5	0,90	0,86	0,25	

**Artemis 2000 3-9x42**

	Dimensions				
	cm/100m	in/100yd	MOA	mRad	Power
A	20,0	7,20	6,88	2,00	
C	70,0	25,20	24,06	7,00	
E	1,6	0,58	0,55	0,16	

**Artemis 2000 6x42**

	Dimensions				
	cm/100m	in/100yd	MOA	mRad	Power
A	20,0	7,20	6,88	2,00	
C	70,0	25,20	24,06	7,00	
E	0,8	0,29	0,28	0,08	

**MeoPro 3-9x40**

	Dimensions				
	cm/100m	in/100yd	MOA	mRad	Power
A	9,9	3,55	3,39	0,99	9x
C	46,0	16,56	15,81	4,60	9x
E	1,0	0,36	0,34	0,10	9x

**Artemis 2000 3-12x50**

	Dimensions				
	cm/100m	in/100yd	MOA	mRad	Power
A	20,0	7,20	6,88	2,00	
C	70,0	25,20	24,06	7,00	
E	1,2	0,43	0,41	0,12	

E = thickness of the thin bars

**Artemis 2000 7x50**

	Dimensions				
	cm/100m	in/100yd	MOA	mRad	Power
A	20,0	7,20	6,88	2,00	
C	70,0	25,20	24,06	7,00	
E	0,7	0,25	0,24	0,07	

**MeoPro 3,5-10x44**

	Dimensions				
	cm/100m	in/100yd	MOA	mRad	Power
A	20,0	7,20	6,88	2,00	4x
C	140,0	50,40	48,13	14,00	4x

**MeoPro 3-9x42**

**MeoPro 3-9x50**

**MeoPro 6x42**

	Dimensions				
	cm/100m	in/100yd	MOA	mRad	Power
A	20,0	7,20	6,88	2,00	
C	70,0	25,20	24,06	7,00	

**MeoStar R1 7x56**

	Dimensions				
	cm/100m	in/100yd	MOA	mRad	Power
A	20,0	7,20	6,88	2,00	
C	70,0	25,20	24,06	7,00	
E	1,1	0,40	0,38	0,11	

**Artemis 3000 3-9x42**

**MeoStar R1 1-4x22**

**MeoStar R1 3-10x50**

**MeoStar R1 4-12x40**

	Dimensions				
	cm/100m	in/100yd	MOA	mRad	Power
A	20,0	7,20	6,88	2,00	4x
C	70,0	25,20	24,06	7,00	4x
E	1,1	0,40	0,38	0,11	4x

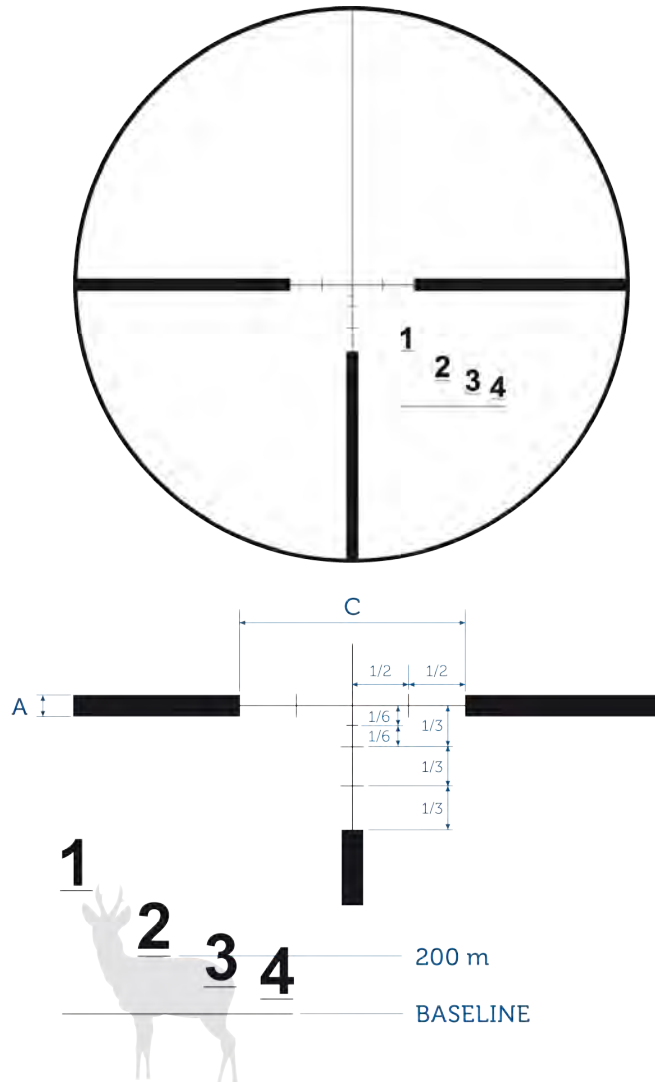
**MeoStar R1 3-12x56**

	Dimensions				
	cm/100m	in/100yd	MOA	mRad	Power
A	15,0	5,40	5,16	1,50	
C	70,0	25,20	24,06	7,00	



# 4A

Meopta proprietary ranging and ballistic compensation reticle.  
 Place the baseline marker bar parallel to the animal's belly as shown in the reticle above. The numbered distance bar that falls closest to the top of the animal's back indicates the approximate distance in hundreds of yards. Animal shown is approximately 200 meters out. Marker bars on the lower vertical post as holdovers for extended distances.



## Artemis 2000 1,5-6x42

	Dimensions				
	cm/100m	in/100yd	MOA	mRad	Power
A	20,0	7,20	6,88	2,00	
C	140,0	50,40	48,13	14,00	
E	2,5	0,90	0,86	0,25	

## Artemis 2000 4x32

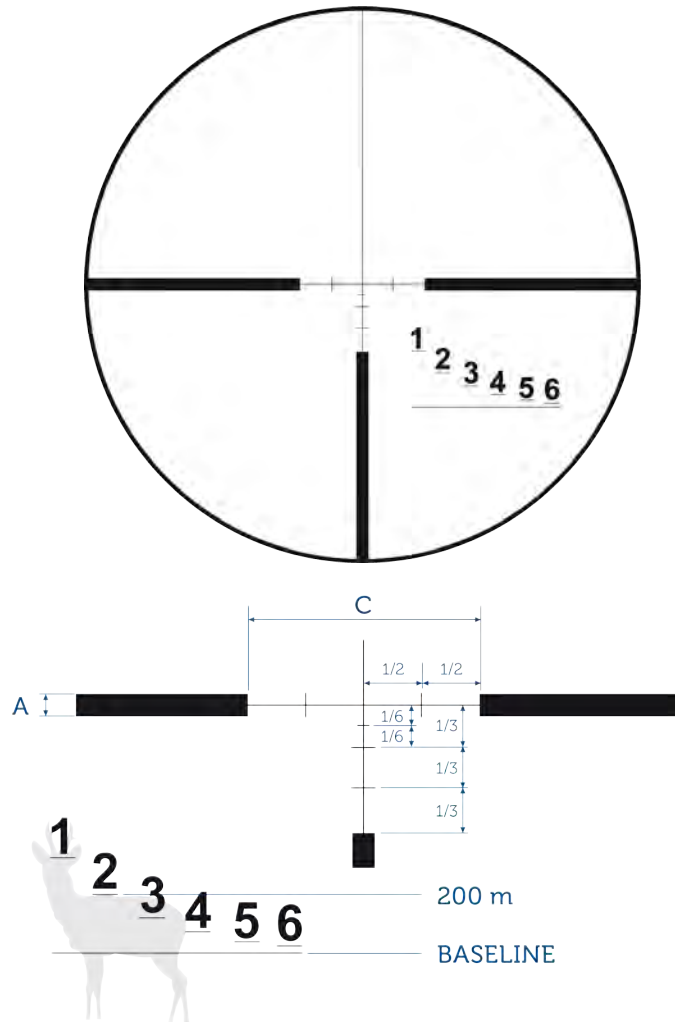
	Dimensions				
	cm/100m	in/100yd	MOA	mRad	Power
A	20,0	7,20	6,88	2,00	
C	140,0	50,40	48,13	14,00	
E	1,2	0,43	0,41	0,12	

E = thickness of the thin bars



## 4B

Meopta proprietary ranging and ballistic compensation reticle. Place the baseline marker bar parallel to the animal's belly as shown in the reticle above. The numbered distance bar that falls closest to the top of the animal's back indicates the approximate distance in hundreds of yards. Animal shown is approximately 200 meters out. Marker bars on the lower vertical post as holdovers for extended distances.



### Artemis 2000 2-8x42

	Dimensions				
	cm/100m	in/100yd	MOA	mRad	Power
A	20,0	7,20	6,88	2,00	
C	140,0	50,40	48,13	14,00	
E	1,8	0,65	0,62	0,18	

### Artemis 2000 3-12x50 MeoStar R1 3-12x56

	Dimensions				
	cm/100m	in/100yd	MOA	mRad	Power
A	15,0	5,40	5,16	1,50	
C	140,0	50,40	48,13	14,00	
E	1,2	0,43	0,41	0,12	

### Artemis 2000 3-9x42

	Dimensions				
	cm/100m	in/100yd	MOA	mRad	Power
A	20,0	7,20	6,88	2,00	
C	140,0	50,40	48,13	14,00	
E	1,6	0,58	0,55	0,16	

### Artemis 2000 6x42

	Dimensions				
	cm/100m	in/100yd	MOA	mRad	Power
A	20,0	7,20	6,88	2,00	
C	140,0	50,40	48,13	14,00	
E	0,8	0,29	0,28	0,08	

### Artemis 2000 7x50

	Dimensions				
	cm/100m	in/100yd	MOA	mRad	Power
A	20,0	7,20	6,88	2,00	
C	140,0	50,40	48,13	14,00	
E	0,7	0,25	0,24	0,07	

### MeoStar R1 7x56

	Dimensions				
	cm/100m	in/100yd	MOA	mRad	Power
A	20,0	7,20	6,88	2,00	
C	140,0	50,40	48,13	14,00	
E	1,1	0,40	0,38	0,11	

E = thickness of the thin bars

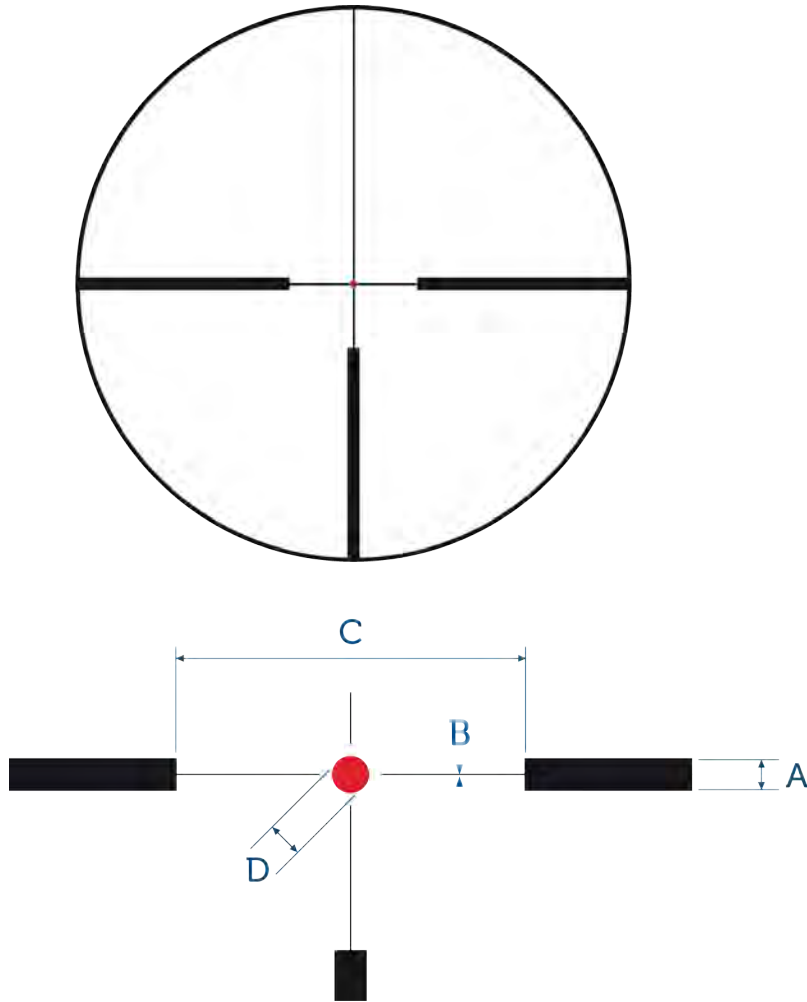




# 4C

RD illuminated.

European style reticle provides hunters with fast target acquisition in lower light and against tangled backgrounds.



## MeoStar R1 7x56 RD

	Dimensions				
	cm/100m	in/100yd	MOA	mRad	Power
A	13,0	4,68	4,47	1,30	
B	1,1	0,40	0,38	0,11	
C	63,0	22,68	21,66	6,30	
D	3,6	1,30	1,24	0,36	

## MeoStar R1r 3-12x56 RD/MR

## MeoStar R1r 3-12x56 RD/RGD

	Dimensions				
	cm/100m	in/100yd	MOA	mRad	Power
A	20,0	7,20	6,88	2,00	4x
B	1,1	0,40	0,38	0,11	4x
C	140,0	50,40	48,13	14,00	4x
D	5,6	2,02	1,93	0,56	4x

## MeoStar R2 1,7-10x42 RD

## MeoStar R2 2,5-15x56 RD

## MeoStar R2 2,5-15x56 RD PA

## MeoStar R2 2,5-15x56 RD/MR

	Dimensions				
	cm/100m	in/100yd	MOA	mRad	Power
A	10,0	3,60	3,44	1,00	6x
C	140,0	50,40	48,13	14,00	6x
D	2,9	1,05	1,00	0,29	6x

## Artemis 2100 7x50

	Dimensions				
	cm/100m	in/100yd	MOA	mRad	Power
A	13,0	4,68	4,47	1,30	
B	62,0	22,32	21,31	6,20	
D	3,6	1,30	1,24	0,36	

## MeoPro Optika6 3-18x56 RD FFP

## MeoPro Optika6 3-18x50 RD FFP

	Dimensions				
	cm/100m	in/100yd	MOA	mRad	Power
A	5,0	1,80	1,72	0,50	
B	1,0	0,36	0,34	0,10	
C	140,0	50,40	48,13	14,00	
D	2,0	0,72	0,69	0,20	

## MeoStar R1 1,5-6x42 RD

	Dimensions				
	cm/100m	in/100yd	MOA	mRad	Power
A	20,0	7,20	6,88	2,00	4x
C	140,0	50,40	48,13	14,00	4x
D	2,8	1,01	0,96	0,28	4x

## Artemis 2100 3-12x50

	Dimensions				
	cm/100m	in/100yd	MOA	mRad	Power
A	15,0	5,40	5,16	1,50	
B	1,2	0,43	0,41	0,12	
C	140,0	50,40	48,13	14,00	
D	4,0	1,44	1,38	0,40	

## MeoStar R2 1-6x24 RD

## MeoStar R2 1-6x24 RD/MR

	Dimensions				
	cm/100m	in/100yd	MOA	mRad	Power
A	10,0	3,60	3,44	1,00	6x
C	140,0	50,40	48,13	14,00	6x
D	5,0	1,80	1,72	0,50	6x

## MeoStar R2 2,5-15x56 RD/MR PA

## MeoStar R2 2-12x50 RD

## MeoStar R2 8x56 RD

## MeoStar R2 2,5-15x56 RD/MR

## MeoPro Optika6 1-6x24 RD SFP

## MeoPro Optika6 2,5-15x44 RD SFP

## MeoPro Optika6 3-18x56 RD SFP

## MeoPro Optika6 4,5-27x50 RD SFP

	Dimensions				
	cm/100m	in/100yd	MOA	mRad	Power
A	5,0	1,80	1,72	0,50	6x
B	0,5	0,18	0,17	0,05	6x
C	140,0	50,40	48,13	14,00	6x
D	2,3	0,83	0,79	0,23	6x

## MeoPro 3,5-10x44 RD

	Dimensions				
	cm/100m	in/100yd	MOA	mRad	Power
A	20,0	7,20	6,88	2,00	4x
C	140,0	50,40	48,13	14,00	4x
D	6,0	2,16	2,06	0,60	4x

## MeoPro Optika6 4,5-27x50 RD FFP

	Dimensions				
	cm/100m	in/100yd	MOA	mRad	Power
A	3,0	1,08	1,03	0,30	
B	0,7	0,25	0,24	0,07	
C	140,0	50,40	48,13	14,00	
D	1,3	0,47	0,45	0,13	

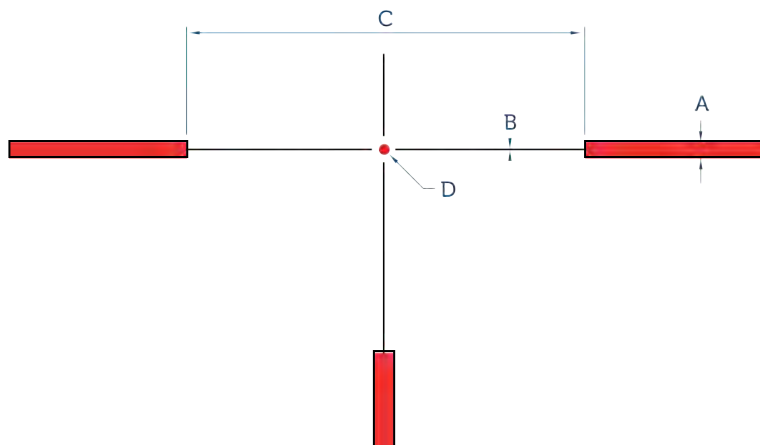
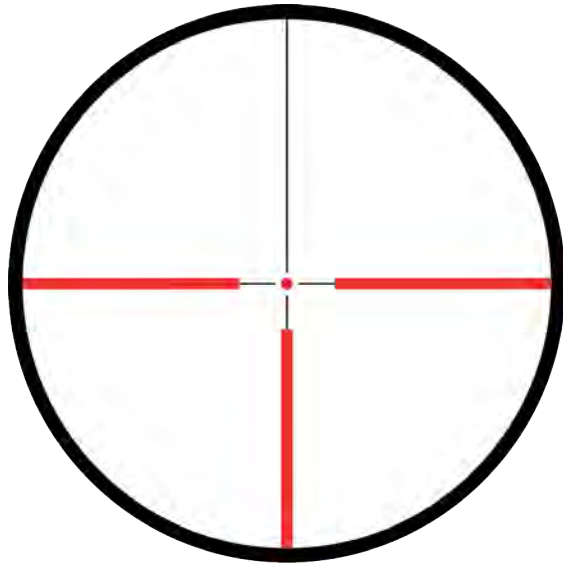
## MeoStar R1 3-12x56 RD

	Dimensions				
	cm/100m	in/100yd	MOA	mRad	Power
A	15,0	5,40	5,16	1,50	
B	1,2	0,43	0,41	0,12	
C	140,0	50,40	48,13	14,00	
D	4,0	1,44	1,38	0,40	



## 4C Dichro

The 4C DichroTech reticle features dichroic film on the reticle to remain visible in low light without illumination while contrasting against wooded backgrounds to provide a definitive aiming point. DichroTech reticles have the added benefit of not obstructing the target while remaining clearly visible in daylight or low light conditions.

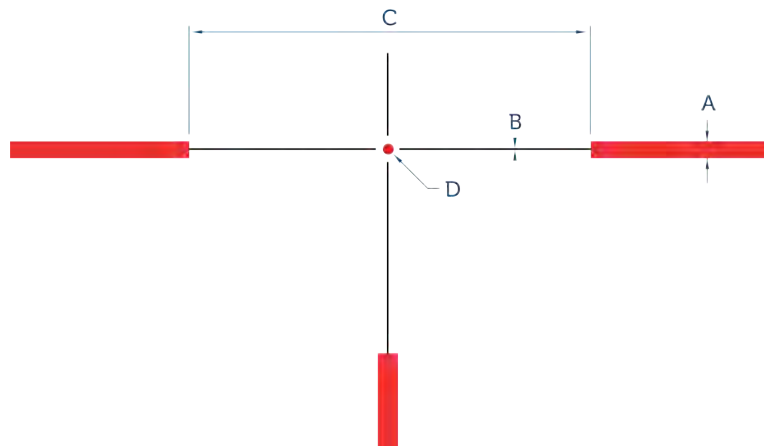
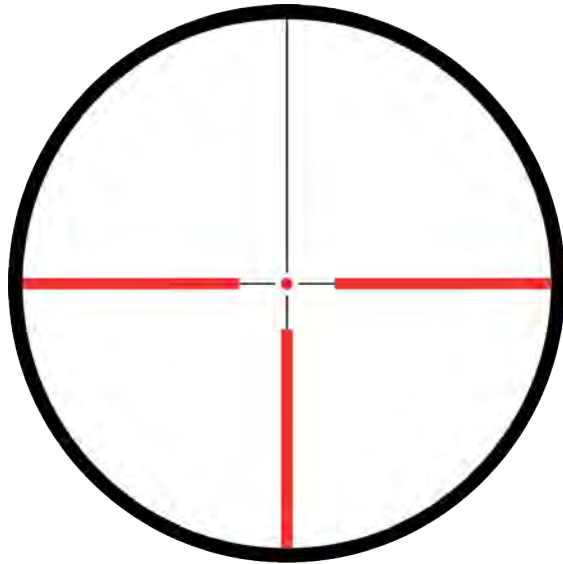


MeoStar R1 3-12x56 RD

	Dimensions				Power
	cm/100m	in/100yd	MOA	mRad	
A	15,0	5,40	5,16	1,50	
B	1,2	0,43	0,41	0,12	
C	140,0	50,40	48,13	14,00	
D	4,0	1,44	1,38	0,40	

## 4C Dichro 2

The 4C DichroTech 2 reticle features dichroic film on the reticle to remain visible in low light without illumination while contrasting against wooded backgrounds to provide a definitive aiming point. DichroTech reticles have the added benefit of not obstructing the target while remaining clearly visible in daylight or low light conditions.

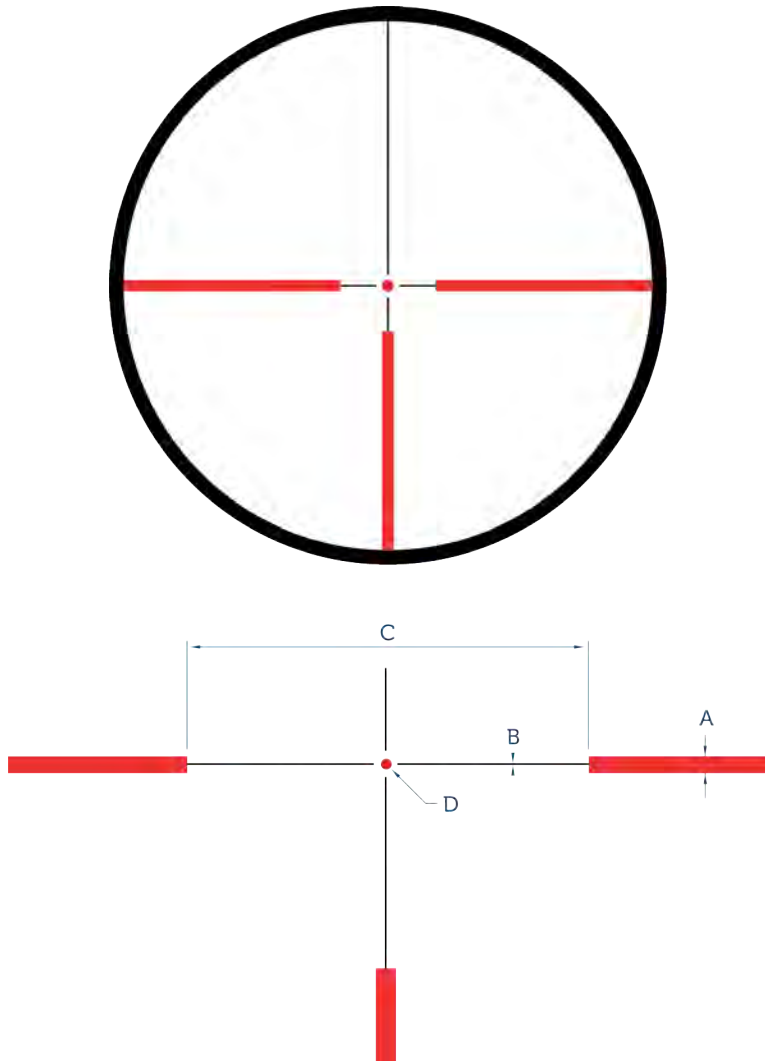


MeoStar R2 2.5-15x56 RD

	Dimensions				
	cm/100m	in/100yd	MOA	mRad	Power
A	10,0	3,60	3,44	1,00	6x
C	140,0	50,40	48,13	14,00	6x
D	2,9	1,04	1,00	0,29	6x

## 4D Dichro

The 4D DichroTech reticle features dichroic film on the reticle to remain visible in low light without illumination while contrasting against wooded backgrounds to provide a definitive aiming point. DichroTech reticles have the added benefit of not obstructing the target while remaining clearly visible in daylight or low light conditions.



MeoPro Optika6 3-18x50 SFP  
MeoPro Optika6 4,5-27x50 SFP

	Dimensions				
	cm/100m	in/100yd	MOA	mRad	Power
A	5,0	1,80	1,72	0,50	6x
B	0,5	0,18	0,17	0,05	6x
C	140,0	50,40	48,13	14,00	6x
D	2,3	0,83	0,79	0,23	6x

MeoPro Optika6 3-18x50 FFP  
MeoPro Optika6 3-18x56 FFP

	Dimensions				
	cm/100m	in/100yd	MOA	mRad	Power
A	5,0	1,80	1,72	0,50	
B	1,0	0,36	0,34	0,10	
C	140,0	50,40	48,13	14,00	
D	2,0	0,72	0,69	0,20	

MeoStar R1 3-12x56

	Dimensions				
	cm/100m	in/100yd	MOA	mRad	Power
A	15,0	5,40	5,16	1,50	
B	1,2	0,43	0,41	0,12	
C	140,0	50,40	48,13	14,00	
D	4,0	1,44	1,38	0,40	

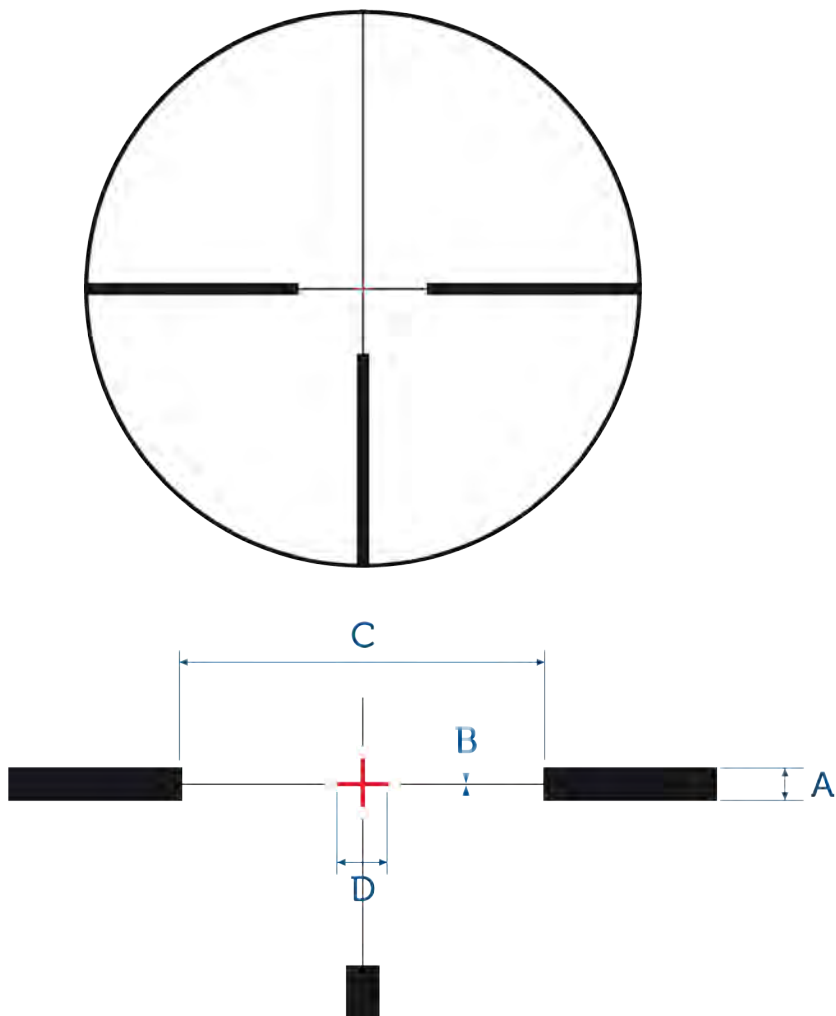
MeoStar R1r 3-12x56

	Dimensions				
	cm/100m	in/100yd	MOA	mRad	Power
A	20,0	7,20	6,88	2,00	4x
B	1,1	0,40	0,38	0,11	4x
C	140,0	50,40	48,13	14,00	4x
D	5,6	2,02	1,93	0,56	4x

# 4K

RD illuminated.

Larger center gate provides hunters with extremely fast target acquisition in lower light and daylight.



- MeoStar R2 1,7-10x42 RD
- MeoStar R2 2,5-15x56 RD
- MeoStar R2 2,5-15x56 RD PA
- MeoStar R2 2,5-15x56 RD/MR
- MeoStar R2 2,5-15x56 RD/MR PA
- MeoStar R2 2-12x50 RD

	Dimensions				
	cm/100m	in/100yd	MOA	mRad	Power
A	10,0	3,60	3,44	1,00	6x
C	140,0	50,40	48,13	14,00	6x
D	10,0	3,60	3,44	1,00	6x

- MeoStar R1r 3-12x56 RD
- MeoStar R1r 3-12x56 RD/MR

	Dimensions				
	cm/100m	in/100yd	MOA	mRad	Power
A	20,0	7,20	6,88	2,00	4x
C	140,0	50,40	48,13	14,00	4x
D	15,0	5,40	5,16	1,50	

- MeoPro Optika6 4,5-27x50 RD FFP

	Dimensions				
	cm/100m	in/100yd	MOA	mRad	Power
A	6,7	2,41	2,30	0,67	
B	0,7	0,25	0,24	0,07	
C	140,0	50,40	48,13	14,00	
D	10,0	3,60	3,44	1,00	

- MeoPro Optika6 3-18x50 RD FFP
- MeoPro Optika6 3-18x56 RD FFP

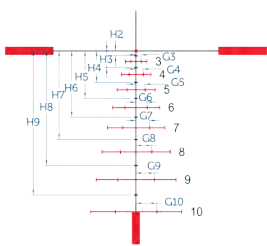
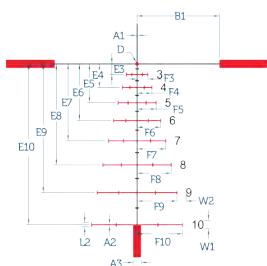
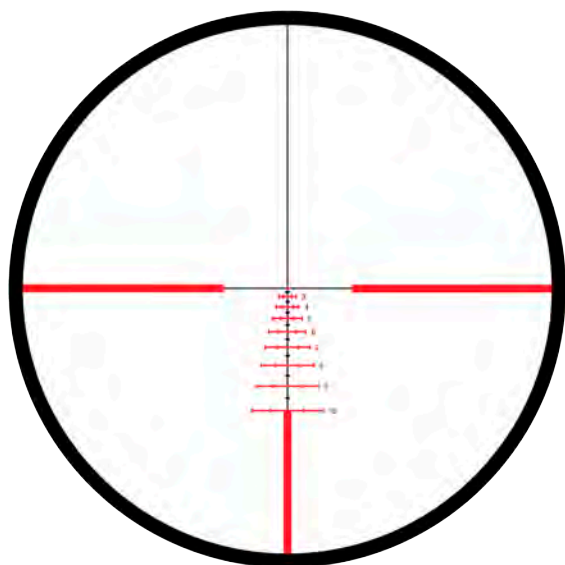
	Dimensions				
	cm/100m	in/100yd	MOA	mRad	Power
A	10,0	3,60	3,44	1,00	
B	1,0	0,36	0,34	0,10	
C	140,0	50,40	48,13	14,00	
D	10,0	3,60	3,44	1,00	

- MeoPro Optika6 2,5-15x44 RD SFP
- MeoPro Optika6 3-18x50 RD SFP
- MeoPro Optika6 3-18x56 RD SFP
- MeoPro Optika6 4,5-27x50 RD SFP

	Dimensions				
	cm/100m	in/100yd	MOA	mRad	Power
A	10,0	3,60	3,44	1,00	6x
B	0,5	0,18	0,17	0,05	6x
C	140,0	50,40	48,13	14,00	6x
D	10,0	3,60	3,44	1,00	6x

## 6.5 Creedmoor Dichro

No cartridge has captured as large a following in so short a time as the popular 6.5 Creedmoor. To help you get the most out of your 6.5, Meopta's 6.5 Creedmoor specific reticle has MOA based holdovers to compensate for bullet drop out to 1,000 yards and wind compensating hold offs for 5 and 10 MPH winds.



MeoPro Optika6 3-18x50 FFP

MeoPro Optika6 3-18x50 SFP

	Dimensions				
	cm/100m	in/100yd	MOA	mRad	Power
A1, A2	0,7	0,26	0,25	0,07	6x
A3, W1	5,8	2,09	2,00	0,58	6x
B1	58,2	20,94	20,00	5,82	6x
D	2,3	0,84	0,80	0,23	6x
E10	110,3	39,70	37,91	11,03	6x
E3	7,3	2,62	2,50	0,73	6x
E4	16,3	5,85	5,59	1,63	6x
E5	26,7	9,60	9,17	2,67	6x
E6	38,9	14,00	13,37	3,89	6x
E7	52,8	19,00	18,14	5,28	6x
E8	69,3	24,93	23,81	6,93	6x
E9	88,3	31,77	30,34	8,83	6x
F10	32,5	11,70	11,17	3,25	6x
F3	7,6	2,73	2,61	0,76	6x
F4	10,4	3,75	3,58	1,04	6x
F5	13,4	4,84	4,62	1,34	6x
F6	16,7	6,00	5,73	1,67	6x
F7	20,3	7,31	6,98	2,03	6x
F8	24,2	8,70	8,31	2,42	6x
F9	28,2	10,17	9,71	2,82	6x
G10	14,7	5,30	5,06	1,47	6x
G3	3,7	1,33	1,27	0,37	6x
G4	5,0	1,80	1,72	0,50	6x
G5	6,4	2,30	2,20	0,64	6x
G6	7,9	2,84	2,71	0,79	6x
G7	9,5	3,42	3,27	0,95	6x
G8	11,1	4,00	3,82	1,11	6x
G9	13,0	4,67	4,46	1,30	6x
H2	3,4	1,23	1,17	0,34	6x
H3	11,5	4,16	3,97	1,15	6x
H4	21,6	7,78	7,43	2,16	6x
H5	32,6	11,73	11,20	3,26	6x
H6	45,3	16,29	15,56	4,53	6x
H7	60,7	21,87	20,88	6,07	6x
H8	78,6	28,30	27,02	7,86	6x
H9	98,8	35,57	33,97	9,88	6x
L1, L2	2,9	1,05	1,00	0,29	6x
W2	6,4	2,30	2,20	0,64	6x

Subtentions in MeoPro Optika6 3-18x50 FFP valid for all powers.

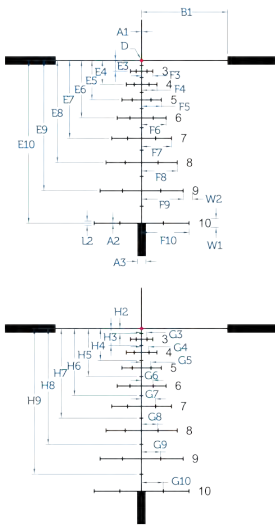
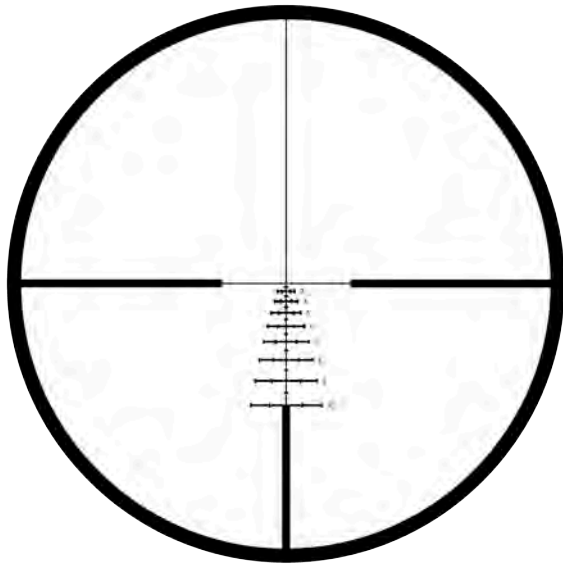
Reticle dimensions based off:  
6,5 CREEDMOOR (Federal), 120 grs AMERICAN EAGLE, 884 m/s (2900 fps), 200 yard zero



## 6.5 Creedmoor RD

RD illuminated.

No cartridge has captured as large a following in so short a time as the popular 6.5 Creedmoor. To help you get the most out of your 6.5, Meopta's 6.5 Creedmoor specific reticle has MOA based holdovers to compensate for bullet drop out to 1,000 yards and wind compensating hold offs for 5 and 10 MPH winds.



## MeoPro Optika6 4,5-27x50 RD SFP

	Dimensions				
	cm/100m	in/100yd	MOA	mRad	Power
A1,A2	0,7	0,26	0,25	0,07	6x
A3,W1	5,8	2,09	2,00	0,58	6x
B1	58,2	20,94	20,00	5,82	6x
C	3,5	1,26	1,20	0,35	6x
D	2,3	0,84	0,80	0,23	6x
E10	110,3	39,70	37,91	11,03	6x
E3	7,3	2,62	2,50	0,73	6x
E4	16,3	5,85	5,59	1,63	6x
E5	26,7	9,60	9,17	2,67	6x
E6	38,9	14,00	13,37	3,89	6x
E7	52,8	19,00	18,14	5,28	6x
E8	69,3	24,93	23,81	6,93	6x
E9	88,3	31,77	30,34	8,83	6x
F10	32,5	11,70	11,17	3,25	6x
F3	7,6	2,73	2,61	0,76	6x
F4	10,4	3,75	3,58	1,04	6x
F5	13,4	4,84	4,62	1,34	6x
F6	16,7	6,00	5,73	1,67	6x
F8	24,2	8,70	8,31	2,42	6x
F9	28,2	10,17	9,71	2,82	6x
G10	14,7	5,30	5,06	1,47	6x
G3	3,7	1,33	1,27	0,37	6x
G4	5,0	1,80	1,72	0,50	6x
G5,W2	6,4	2,30	2,20	0,64	6x
G6	7,9	2,84	2,71	0,79	6x
G7	9,5	3,42	3,27	0,95	6x
G8	11,1	4,00	3,82	1,11	6x
G9	13,0	4,67	4,46	1,30	6x
H2	3,4	1,23	1,17	0,34	6x
H3	11,5	4,16	3,97	1,15	6x
H4	21,6	7,78	7,43	2,16	6x
H5	32,6	11,73	11,20	3,26	6x
H6	45,5	16,39	15,65	4,55	6x
H7	60,7	21,87	20,88	6,07	6x
H8	78,6	28,30	27,02	7,86	6x
H9	98,8	35,57	33,97	9,88	6x
L1,L2	2,9	1,05	1,00	0,29	6x

## MeoPro Optika6 4,5-27x50 RD FFP

	Dimensions				
	cm/100m	in/100yd	MOA	mRad	Power
A1	0,5	0,19	0,18	0,05	
A2	0,7	0,26	0,25	0,07	
A3	4,4	1,57	1,50	0,44	
B1	58,2	20,94	20,00	5,82	
C	3,5	1,26	1,20	0,35	
D	1,5	0,52	0,50	0,15	
E10	110,3	39,70	37,91	11,03	
E3	7,3	2,62	2,50	0,73	
E4	16,3	5,85	5,59	1,63	
E5	26,7	9,60	9,17	2,67	
E6	38,9	14,00	13,37	3,89	
E7	52,8	19,00	18,14	5,28	
E8	69,3	24,93	23,81	6,93	
E9	88,3	31,77	30,34	8,83	
F10	32,5	11,70	11,17	3,25	
F3	7,6	2,73	2,61	0,76	
F4	10,4	3,75	3,58	1,04	
F5	13,4	4,84	4,62	1,34	
F6	16,7	6,00	5,73	1,67	
F8	24,2	8,70	8,31	2,42	
F9	28,2	10,17	9,71	2,82	
G10	14,7	5,30	5,06	1,47	
G3	3,7	1,33	1,27	0,37	
G4	5,0	1,80	1,72	0,50	
G5,W2	6,4	2,30	2,20	0,64	
G6	7,9	2,84	2,71	0,79	
G7	9,5	3,42	3,27	0,95	
G8	11,1	4,00	3,82	1,11	
G9	13,0	4,67	4,46	1,30	
H2	3,4	1,23	1,17	0,34	
H3	11,5	4,16	3,97	1,15	
H4	21,6	7,78	7,43	2,16	
H5	32,6	11,73	11,20	3,26	
H6	45,5	16,39	15,65	4,55	
H7	60,7	21,87	20,88	6,07	
H8	78,6	28,30	27,02	7,86	
H9	98,8	35,57	33,97	9,88	
L1,L2	2,9	1,05	1,00	0,29	
W1	5,8	2,09	2,00	0,58	

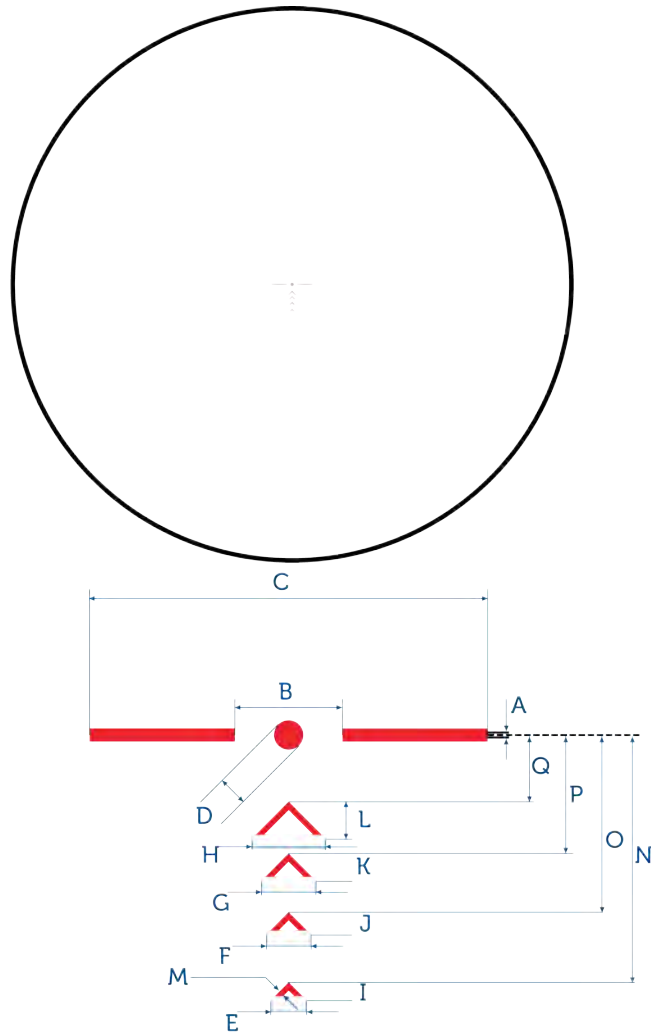
Reticle dimensions based off:  
6,5 CREEDMOOR (Federal), 120 grs AMERICAN EAGLE, 884 m/s (2900 fps), 200 yard zero



## 7.62 NATO

RD illuminated.

The 7.62 NATO reticle is featured in the ZD 1-4x22 riflescope and provides hold-over chevrons to confidently take shots at extended ranges. Featuring RD illumination, the 7.62 NATO reticle has a 2 MOA center dot for precise aiming.



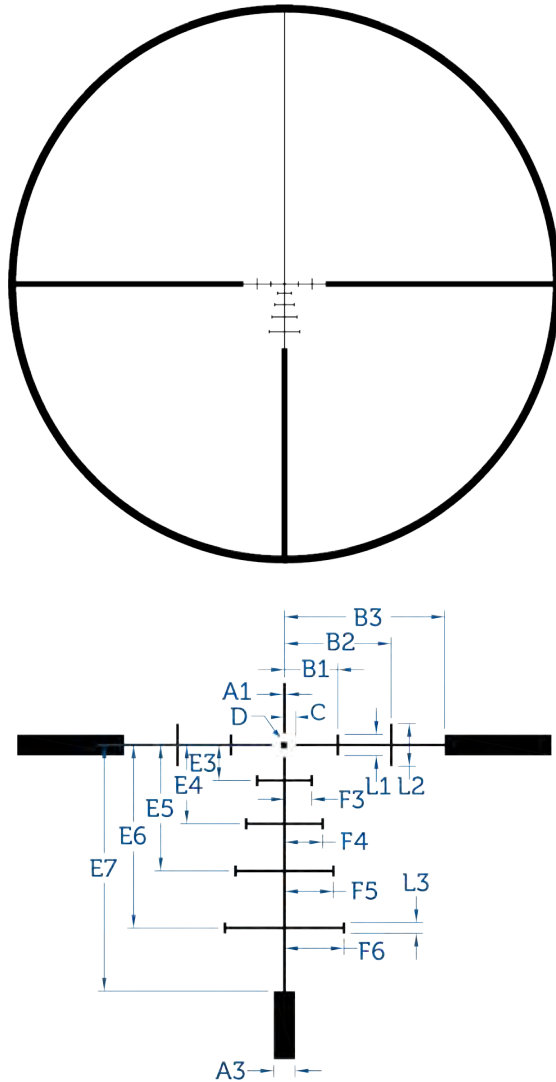
## ZD 1-4x22 RD

	Dimensions				
	cm/100m	in/100yd	MOA	mRad	Power
A	0,9	0,32	0,31	0,09	4x
B	21,8	7,85	7,49	2,18	4x
C	80,0	28,80	27,50	8,00	4x
D	5,8	2,09	1,99	0,58	4x
E	7,2	2,59	2,48	0,72	4x
F	8,9	3,20	3,06	0,89	4x
G	10,9	3,92	3,75	1,09	4x
H	14,7	5,29	5,05	1,47	4x
I	3,6	1,30	1,24	0,36	4x
J	4,5	1,62	1,55	0,45	4x
K	5,5	1,98	1,89	0,55	4x
L	7,4	2,66	2,54	0,74	4x
M	1,0	0,36	0,34	0,10	4x
N	49,9	17,96	17,15	4,99	4x
O	35,8	12,89	12,31	3,58	4x
P	23,9	8,60	8,22	2,39	4x
Q	13,6	4,90	4,68	1,36	4x



## BDC

The Meopta BDC reticle is a MOA based design that provides multiple hold-overs to suit extended range shooting with your favorite caliber when zeroed at 200 yards. Hold-over hashmarks also feature wind hold offs for a 10 MPH crosswind. Available with or without RD illuminated center aiming dot.



MeoPro Optika6 2,5-15x44 SFP  
 MeoPro Optika6 3-18x50 SFP  
 MeoPro Optika6 3-18x56 SFP  
 MeoPro Optika6 4,5-27x50 SFP

	Dimensions				
	cm/100m	in/100yd	MOA	mRad	Power
A1	0,7	0,26	0,25	0,07	6x
A3, L1	5,8	2,09	2,00	0,58	6x
B1	14,5	5,24	5,00	1,45	6x
B2	29,1	10,47	10,00	2,91	6x
B3	43,6	15,71	15,00	4,36	6x
C	4,4	1,57	1,50	0,44	6x
D	2,3	0,84	0,80	0,23	6x
E3	9,7	3,50	3,34	0,97	6x
E4	21,5	7,75	7,40	2,15	6x
E5	34,4	12,40	11,84	3,44	6x
E6	50,0	18,00	17,19	5,00	6x
E7	67,3	24,21	23,12	6,73	6x
F3	7,4	2,67	2,55	0,74	6x
F4	10,4	3,75	3,58	1,04	6x
F5	13,3	4,80	4,58	1,33	6x
F6	16,2	5,83	5,57	1,62	6x
L2	11,6	4,19	4,00	1,16	6x
L3	2,9	1,05	1,00	0,29	6x

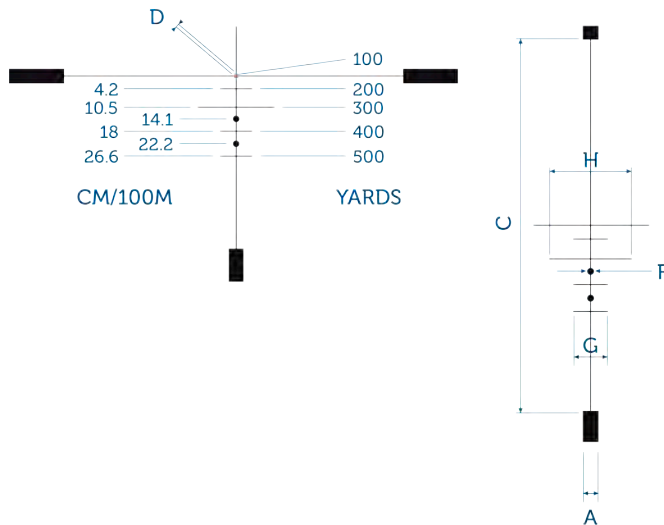
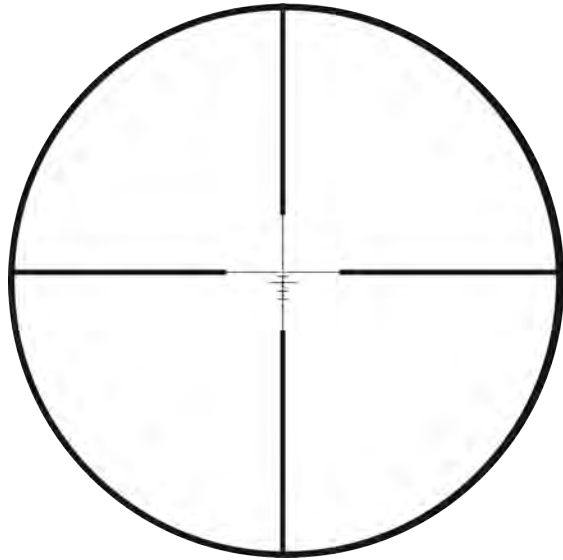
MeoPro Optika6 3-18x50 FFP

	Dimensions				
	cm/100m	in/100yd	MOA	mRad	Power
A1	0,7	0,26	0,25	0,07	
A3, C, L1	5,8	2,09	2,00	0,58	
B1	14,5	5,24	5,00	1,45	
B2	29,1	10,47	10,00	2,91	
B3	43,6	15,71	15,00	4,36	
D	2,3	0,84	0,80	0,23	
E3	9,7	3,50	3,34	0,97	
E4	21,5	7,75	7,40	2,15	
E5	34,4	12,40	11,84	3,44	
E6	50,0	18,00	17,19	5,00	
E7	67,3	24,21	23,12	6,73	
F3	7,4	2,67	2,55	0,74	
F4	10,4	3,75	3,58	1,04	
F5	13,3	4,80	4,58	1,33	
F6	16,2	5,83	5,57	1,62	
L2	11,6	4,19	4,00	1,16	
L3	2,9	1,05	1,00	0,29	

## BDC-2

RD illuminated.

Provides accurate holdovers for 200, 300, 350, 400, 450 and 500 yards out.  
@ maximum magnification (1 yard = 0.9144 m).



MeoPro 3,5-10x44 RD  
MeoStar R1r 3-12x56 RD/RGD  
MeoStar R2 1,7-10x42 RD  
MeoStar R2 2,5-15x56 RD  
MeoStar R2 2-12x50 RD

	Dimensions				
	cm/100m	in/100yd	MOA	mRad	Power
A	4,0	1,44	1,38	0,40	7x
C	122,0	43,92	41,94	12,20	7x
D	2,0	0,72	0,69	0,20	7x
F	1,8	0,65	0,62	0,18	7x
G	8,1	2,92	2,78	0,81	7x
H	23,4	8,42	8,04	2,34	7x

MeoStar R1 1,5-6x42 RD

	Dimensions				
	cm/100m	in/100yd	MOA	mRad	Power
A	4,0	1,44	1,38	0,40	5x
C	122,0	43,92	41,94	12,20	5x
D	2,2	0,79	0,76	0,22	5x
F	1,8	0,65	0,62	0,18	5x
G	8,1	2,92	2,78	0,81	5x
H	23,4	8,42	8,04	2,34	5x

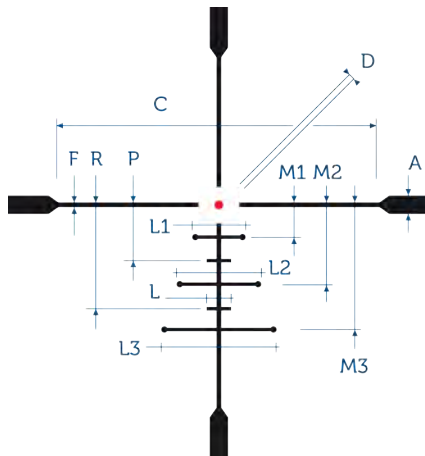
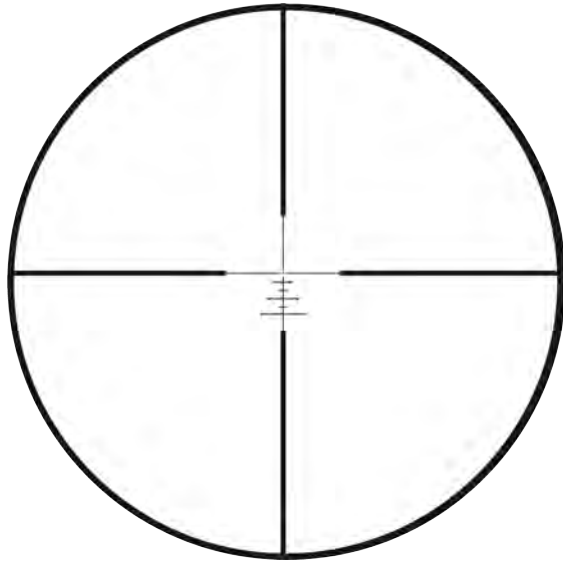
MeoStar R2 1-6x24 RD

	Dimensions				
	cm/100m	in/100yd	MOA	mRad	Power
A	4,0	1,44	1,38	0,40	5x
C	122,0	43,92	41,94	12,20	5x
D	2,8	1,01	0,96	0,28	5x
F	1,8	0,65	0,62	0,18	5x
G	8,1	2,92	2,78	0,81	5x
H	23,4	8,42	8,04	2,34	5x

# BDC-3

RD illuminated.

New type of reticle. Great for long range shooting with special wind correction.



MeoPro 3,5-10x44 RD

MeoStar R1r 3-12x56 RD/RGD MeoStar R2 2,5-15x56 RD

MeoStar R2 1,7-10x42 RD MeoStar R2 2-12x50 RD

	Dimensions				
	cm/100m	in/100yd	MOA	mRad	Power
A	4,9	1,76	1,68	0,49	7x
C	77,0	27,72	26,47	7,70	7x
D	2,0	0,72	0,69	0,20	7x
F	0,9	0,32	0,31	0,09	7x
L	5,2	1,87	1,79	0,52	7x
L1	10,5	3,78	3,61	1,05	7x
L2	16,4	5,90	5,64	1,64	7x
L3	22,8	8,21	7,84	2,28	7x
M1	6,3	2,27	2,17	0,63	7x
M2	15,4	5,54	5,29	1,54	7x
M3	25,9	9,32	8,90	2,59	7x
P	10,5	3,78	3,61	1,05	7x
R	20,3	7,31	6,98	2,03	7x

MeoStar R1 1,5-6x42 RD

	Dimensions				
	cm/100m	in/100yd	MOA	mRad	Power
A	4,9	1,76	1,68	0,49	5x
C	77,0	27,72	26,47	7,70	5x
D	2,2	0,79	0,76	0,22	5x
F	0,9	0,32	0,31	0,09	5x
L	5,2	1,87	1,79	0,52	5x
L1	10,5	3,78	3,61	1,05	5x
L2	16,4	5,90	5,64	1,64	5x
L3	22,8	8,21	7,84	2,28	5x
M1	6,3	2,27	2,17	0,63	5x
M2	15,4	5,54	5,29	1,54	5x
M3	25,9	9,32	8,90	2,59	5x
P	10,5	3,78	3,61	1,05	5x
R	20,3	7,31	6,98	2,03	5x

MeoPro Optika6 1-6x24 RD SFP

	Dimensions				
	cm/100m	in/100yd	MOA	mRad	Power
A	4,9	1,76	1,68	0,49	5x
C	77,0	27,72	26,47	7,70	5x
D	2,8	1,01	0,96	0,28	5x
D1	1,6	0,58	0,55	0,16	5x
F	0,9	0,32	0,31	0,09	5x
L	5,2	1,87	1,79	0,52	5x
L2	16,4	5,90	5,64	1,64	5x
L3	22,8	8,21	7,84	2,28	5x
M1	6,3	2,27	2,17	0,63	5x
M2	15,4	5,54	5,29	1,54	5x
M3	25,9	9,32	8,90	2,59	5x
P,L1	10,5	3,78	3,61	1,05	5x
R	20,3	7,31	6,98	2,03	5x

MeoPro Optika6 2,5-15x44 RD SFP

MeoPro Optika6 3-18x50 RD SFP

MeoPro Optika6 3-18x56 RD SFP

MeoPro Optika6 4,5-27x50 RD SFP

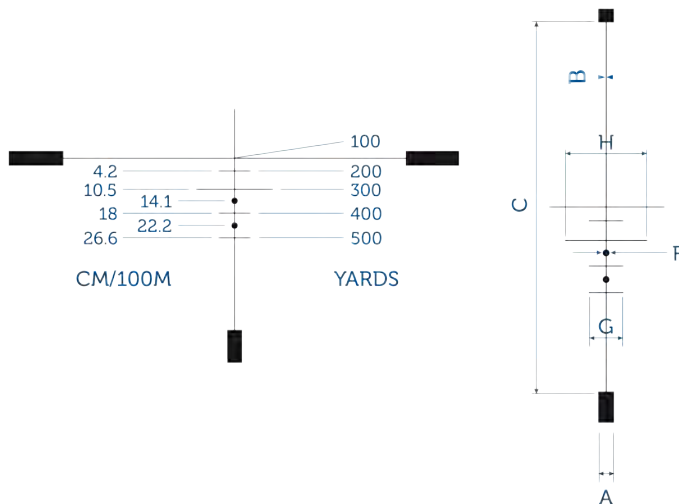
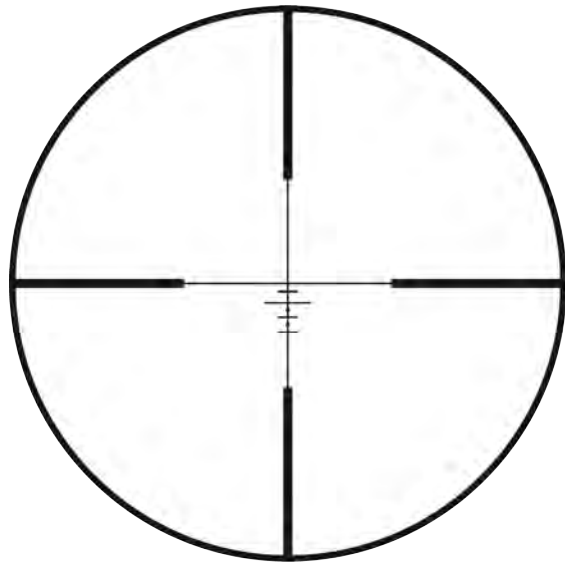
	Dimensions				
	cm/100m	in/100yd	MOA	mRad	Power
A	4,9	1,76	1,68	0,49	7x
C	77,0	27,72	26,47	7,70	7x
D	2,0	0,72	0,69	0,20	7x
D1	1,6	0,58	0,55	0,16	7x
F	0,9	0,32	0,31	0,09	7x
L	5,2	1,87	1,79	0,52	7x
L2	16,4	5,90	5,64	1,64	7x
L3	22,8	8,21	7,84	2,28	7x
M1	6,3	2,27	2,17	0,63	7x
M2	15,4	5,54	5,29	1,54	7x
M3	25,9	9,32	8,90	2,59	7x
P,L1	10,5	3,78	3,61	1,05	7x
R	20,3	7,31	6,98	2,03	7x

MeoStar R2 1-6x24 RD

	Dimensions				
	cm/100m	in/100yd	MOA	mRad	Power
A	4,9	1,76	1,68	0,49	5x
C	77,0	27,72	26,47	7,70	5x
D	2,8	1,01	0,96	0,28	5x
F	0,9	0,32	0,31	0,09	5x
L	5,2	1,87	1,79	0,52	5x
L1	10,5	3,78	3,61	1,05	5x
L2	16,4	5,90	5,64	1,64	5x
L3	22,8	8,21	7,84	2,28	5x
M1	6,3	2,27	2,17	0,63	5x
M2	15,4	5,54	5,29	1,54	5x
M3	25,9	9,32	8,90	2,59	5x
P	10,5	3,78	3,61	1,05	5x
R	20,3	7,31	6,98	2,03	5x

## BDC/a, BDC/b

Provides accurate holdovers for 200, 300, 350, 400, 450 and 500 yards out.  
@ maximum magnification (1 yard = 0.9144m).

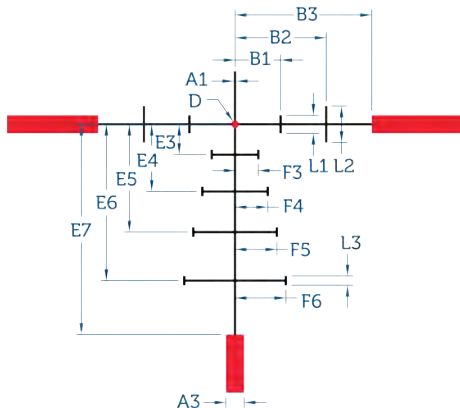
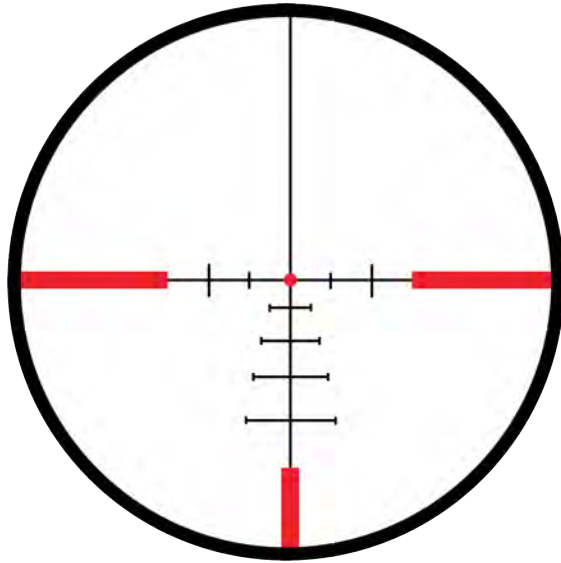


MeoPro 3,5-10x44  
MeoPro 3-9x40  
MeoPro 3-9x42  
MeoPro 3-9x50  
MeoPro 4,5-14x44  
MeoPro 4,5-14x50  
MeoPro 4-12x50  
MeoPro 6,5-20x50  
MeoPro 6-18x50

	Dimensions				
	cm/100m	in/100yd	MOA	mRad	Power
A	4,1	1,48	1,41	0,41	max
B	0,6	0,22	0,21	0,06	max
C	122,0	43,92	41,94	12,20	max
F	1,8	0,65	0,62	0,18	max
G	8,1	2,92	2,78	0,81	max
H	23,4	8,42	8,04	2,34	max

## BDC Dichro

Enhancing the versatility of this reticle is the addition of Meopta's DichroTech reticle technology. By adding thin film coatings to the reticle, specific wavelengths of light can be tuned out to give you an enhanced view of your target. Since these coatings filter light, they are transparent and do not block the view of your target, no matter how far away you shoot.



### MeoPro Optika6 5-30x56 FFP

	Dimensions				Power
	cm/100m	in/100yd	MOA	mRad	
A1	0,4	0,16	0,15	0,04	
A3	3,5	1,26	1,20	0,35	
B1	14,5	5,24	5,00	1,45	
B2	29,1	10,47	10,00	2,91	
B3	43,6	15,71	15,00	4,36	
D	1,5	0,52	0,50	0,15	
E3	9,7	3,50	3,34	0,97	
E4	21,5	7,75	7,40	2,15	
E5	34,4	12,40	11,84	3,44	
E6	50,0	18,00	17,19	5,00	
E7	67,3	24,21	23,12	6,73	
F3	7,4	2,67	2,55	0,74	
F4	10,4	3,75	3,58	1,04	
F5	13,3	4,80	4,58	1,33	
F6	16,2	5,83	5,57	1,62	
L1	5,8	2,09	2,00	0,58	
L2	11,6	4,19	4,00	1,16	
L3	2,9	1,05	1,00	0,29	

### MeoPro Optika6 2,5-15x44 SFP

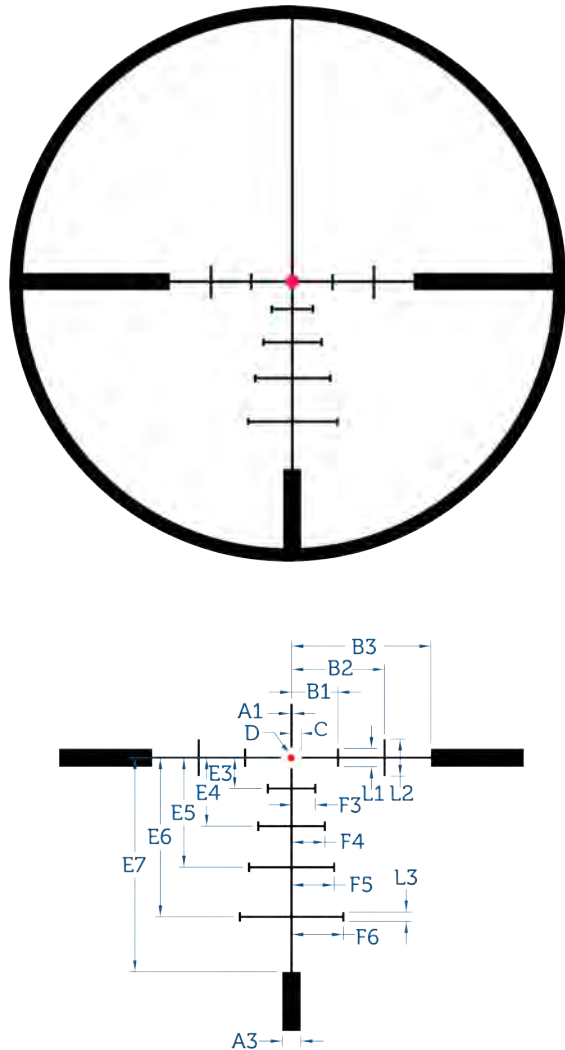
### MeoPro Optika6 3-18x50 SFP

### MeoPro Optika6 3-18x56 SFP

	Dimensions				Power
	cm/100m	in/100yd	MOA	mRad	
A1	0,7	0,26	0,25	0,07	6x
A3	5,8	2,09	2,00	0,58	6x
B1	14,5	5,24	5,00	1,45	6x
B2	29,1	10,47	10,00	2,91	6x
B3	43,6	15,71	15,00	4,36	6x
D	2,3	0,84	0,80	0,23	6x
E3	9,7	3,50	3,34	0,97	6x
E4	21,5	7,75	7,40	2,15	6x
E5	34,4	12,40	11,84	3,44	6x
E6	50,0	18,00	17,19	5,00	6x
E7	67,3	24,21	23,12	6,73	6x
F3	7,4	2,67	2,55	0,74	6x
F4	10,4	3,75	3,58	1,04	6x
F5	13,3	4,80	4,58	1,33	6x
F6	16,2	5,83	5,57	1,62	6x
L1	5,8	2,09	2,00	0,58	6x
L2	11,6	4,19	4,00	1,16	6x
L3	2,9	1,05	1,00	0,29	6x

## BDC RD

The Meopta BDC reticle is a MOA based design that provides multiple hold-overs to suit extended range shooting with your favorite caliber when zeroed at 200 yards. Hold-over hashmarks also feature wind hold offs for a 10 MPH crosswind.



### MeoPro Optika6 3-18x50 RD FFP

### MeoPro Optika6 3-18x56 RD FFP

	Dimensions				
	cm/100m	in/100yd	MOA	mRad	Power
A1	0,7	0,26	0,25	0,07	
A3,C, L1	5,8	2,09	2,00	0,58	
B1	14,5	5,24	5,00	1,45	
B2	29,1	10,47	10,00	2,91	
B3	43,6	15,71	15,00	4,36	
D	2,3	0,84	0,80	0,23	
E3	9,7	3,50	3,34	0,97	
E4	21,5	7,75	7,40	2,15	
E5	34,4	12,40	11,84	3,44	
E6	50,0	18,00	17,19	5,00	
E7	67,3	24,21	23,12	6,73	
F3	7,4	2,67	2,55	0,74	
F4	10,4	3,75	3,58	1,04	
F5	13,3	4,80	4,58	1,33	
F6	16,2	5,83	5,57	1,62	
L2	11,6	4,19	4,00	1,16	
L3	2,9	1,05	1,00	0,29	

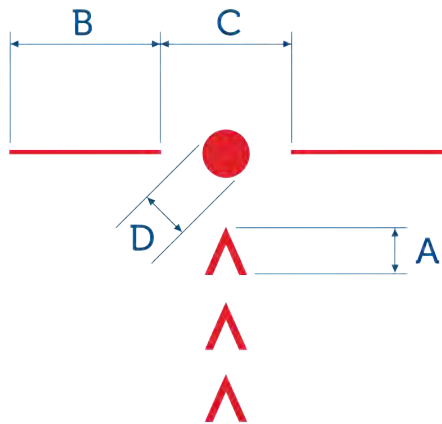
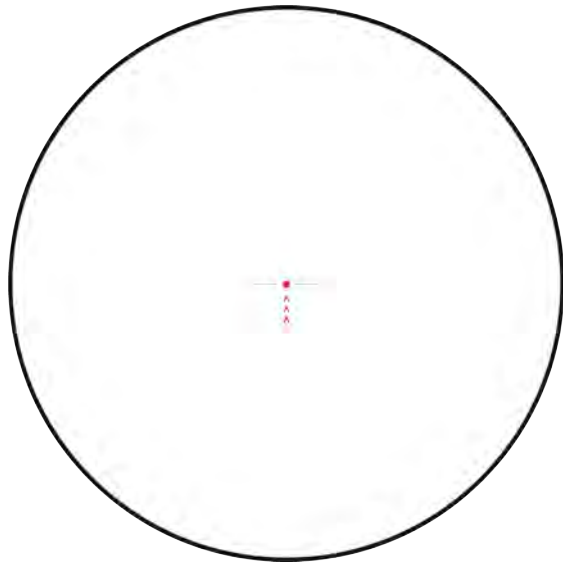
### MeoPro Optika6 4,5-27x50 RD FFP

	Dimensions				
	cm/100m	in/100yd	MOA	mRad	Power
A1	0,5	0,19	0,18	0,05	
A3,C	4,4	1,57	1,50	0,44	
B1	14,5	5,24	5,00	1,45	
B2	29,1	10,47	10,00	2,91	
B3	43,6	15,71	15,00	4,36	
D	1,5	0,52	0,50	0,15	
E3	9,7	3,50	3,34	0,97	
E4	21,5	7,75	7,40	2,15	
E5	34,4	12,40	11,84	3,44	
E6	50,0	18,00	17,19	5,00	
E7	67,3	24,21	23,12	6,73	
F3	7,4	2,67	2,55	0,74	
F4	10,4	3,75	3,58	1,04	
F5	13,3	4,80	4,58	1,33	
F6	16,2	5,83	5,57	1,62	
L1	5,8	2,09	2,00	0,58	
L2	11,6	4,19	4,00	1,16	
L3	2,9	1,05	1,00	0,29	

## K-5.56 ZD

RD illuminated.

This reticle was designed specifically for the 5.56 NATO ammunition, the chevrons correspond to distances shown in the table below. K-5.56 is also suitable for other calibers and ammunition, as indicated in the table.

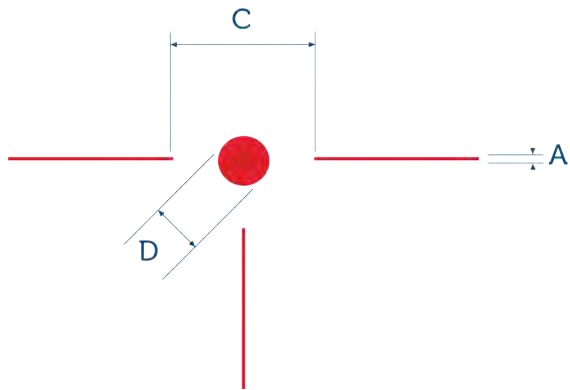
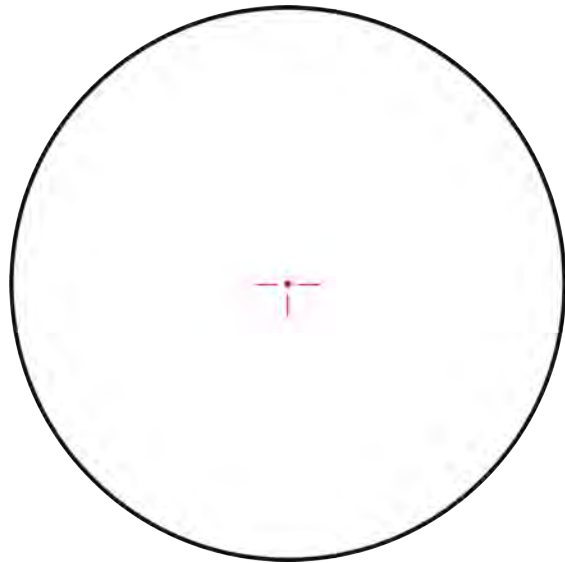


## ZD 1-4x22 RD

	Dimensions				
	cm/100m	in/100yd	MOA	mRad	Power
A	5,5	1,98	1,89	0,55	4x
B	26,5	9,54	9,11	2,65	4x
C	17,5	6,30	6,02	1,75	4x
D	5,8	2,09	1,99	0,58	4x

## KDot

The KDot reticle provides an uncluttered viewing area for rapid target acquisition and quick reticle pick-up. A distinct 2 MOA center dot stands out in harsh lighting conditions making the KDot an excellent driven hunt and fast shooting reticle choice.



## MeoStar R1 1-4x22 RD

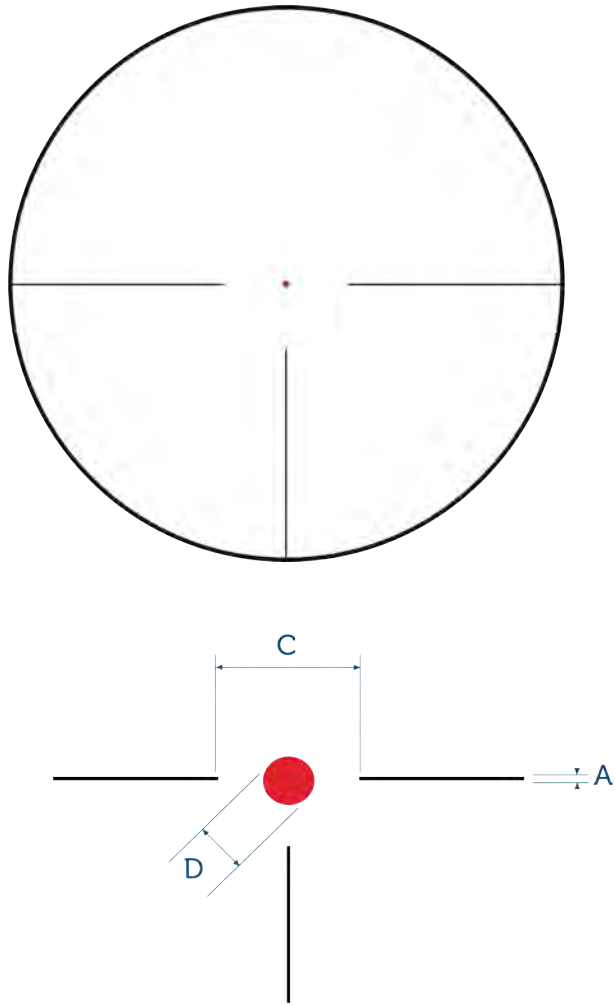
	Dimensions				
	cm/100m	in/100yd	MOA	mRad	Power
A	0,9	0,32	0,31	0,09	4x
C	18,0	6,48	6,19	1,80	4x
D	6,0	2,16	2,06	0,60	4x



## KDot 2

RD illuminated.

The next level of fast shooting, driven game hunting reticles, the KDot 2 incorporates a robust center red dot framed by distinctive horizontal and vertical guide lines. Makes for quick target acquisition on wild boar or dangerous game simple and accurate.



## MeoPro Optika6 1-6x24 RD FFP

	Dimensions				
	cm/100m	in/100yd	MOA	mRad	Power
A	3,0	1,08	1,03	0,30	
C	140,0	50,40	48,13	14,00	
D	15,0	5,40	5,16	1,50	

## MeoPro Optika6 1-6x24 RD SFP

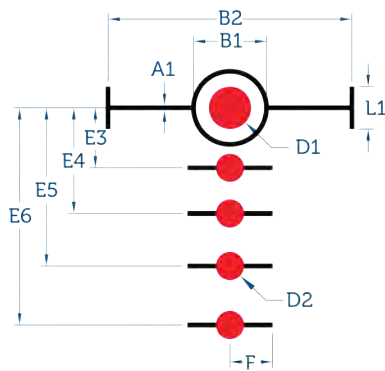
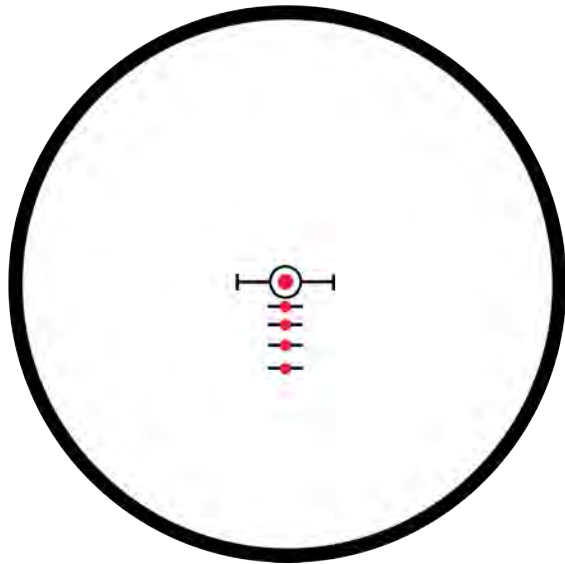
MeoStar R2 1-6x24 RD

MeoStar R2 1-6x24 RD/MR

	Dimensions				
	cm/100m	in/100yd	MOA	mRad	Power
A	0,5	0,18	0,17	0,05	6x
C	140,0	50,40	48,13	14,00	6x
D	5,0	1,80	1,72	0,50	6x

## KDot Dichro

The KDOT Dichro reticle provides holdover points for 300, 400, 500, and 600 yards for the .308 Winchester with a 100 yard zero. Each holdover dot is a 2 MOA circle. Center dot is a 3 MOA circle.



## MeoPro Optika6 1-6x24 FFP

	Dimensions				
	cm/100m	in/100yd	MOA	mRad	Power
A1	1,0	0,36	0,34	0,10	
B1	15,0	5,40	5,16	1,50	
B2	50,0	18,01	17,20	5,00	
D1,L1,F	8,7	3,14	3,00	0,87	
D2	5,8	2,09	2,00	0,58	
E3	12,3	4,43	4,23	1,23	
E4	21,7	7,80	7,45	2,17	
E5	32,4	11,68	11,15	3,24	
E6	44,5	16,03	15,31	4,45	

Zero at 100 yd: E3-300yd, E4-400yd, E5-500yd, E6-600yd

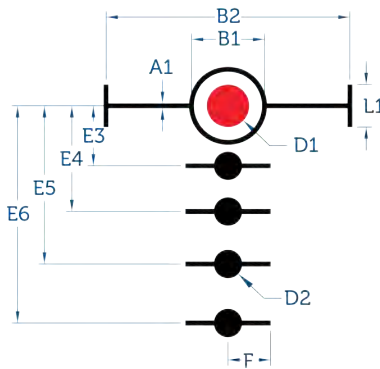
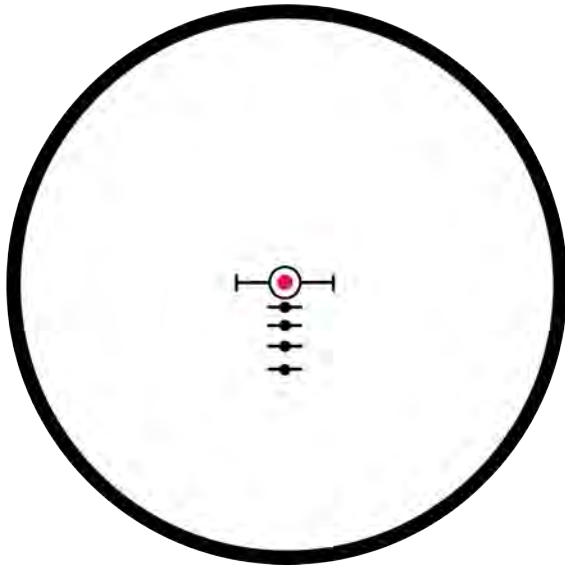
Reticle dimensions based off: .308 Winchester 180gr HPBT (TXRG in US)



## KDot RD

RD illuminated.

The KDOT reticle provides holdover points for 300, 400, 500, and 600 yards for the .308 Winchester with a 100 yard zero. Each holdover dot is a 2 MOA circle. Center dot is a 3 MOA circle.



## MeoPro Optika6 1-6x24 RD SFP

	Dimensions				
	cm/100m	in/100yd	MOA	mRad	Power
A1	1,0	0,36	0,34	0,10	6x
B1	15,0	5,40	5,16	1,50	6x
B2	50,0	18,01	17,20	5,00	6x
D1	5,8	2,09	2,00	0,58	6x
D2	3,9	1,39	1,33	0,39	6x
E3	12,3	4,43	4,23	1,23	6x
E4	21,7	7,80	7,45	2,17	6x
E5	32,4	11,68	11,15	3,24	6x
E6	44,5	16,03	15,31	4,45	6x
L1,F	8,7	3,14	3,00	0,87	6x

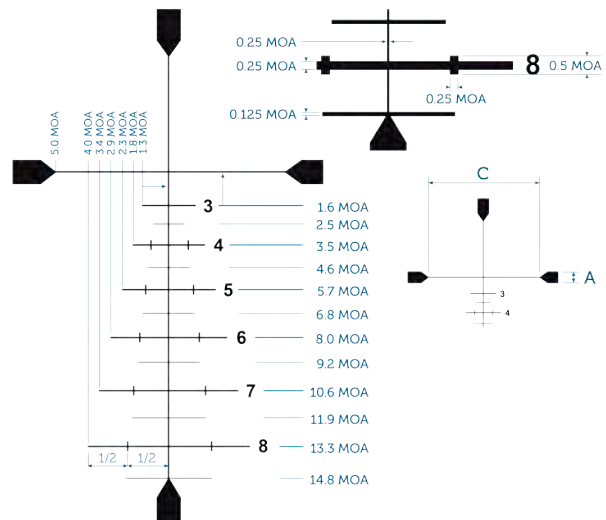
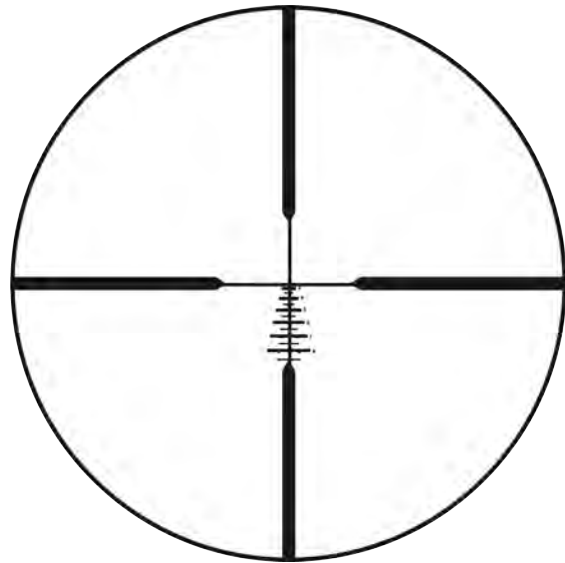
Zero at 100 yd: E3-300yd, E4-400yd, E5-500yd, E6-600yd

Reticle dimensions based off: .308 Winchester 180gr HPBT (TXRG in US)



## McWhorter HV

Meopta high velocity ballistic compensation reticle. The McWhorter HV is in the MeoStar R1 4-16x44 and optimized at 15x. Designed for .264 projectile with a BC of .612 @ 3225 FPS.



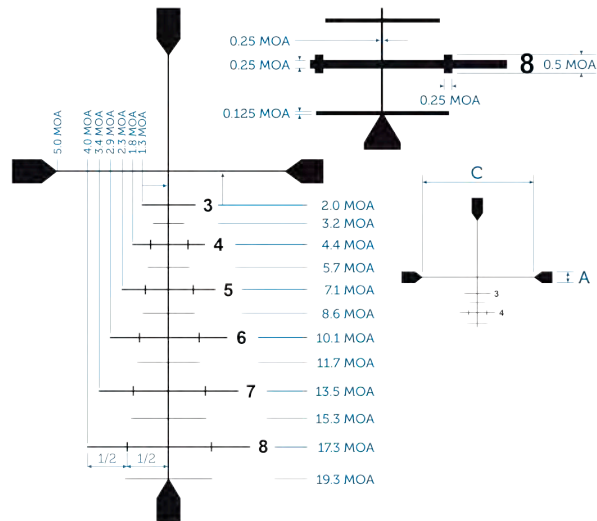
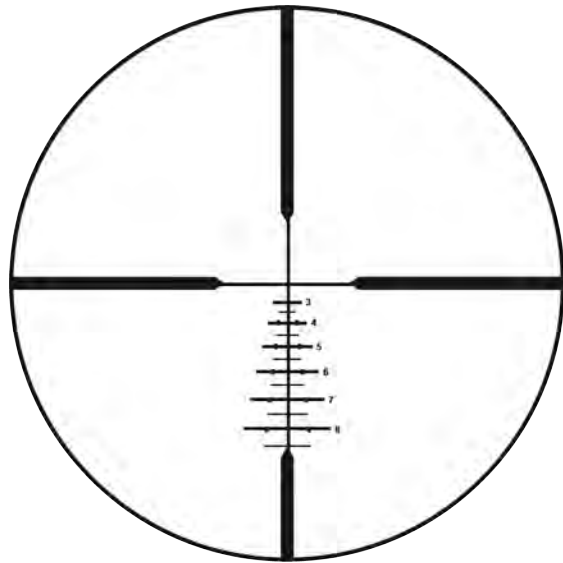
## MeoStar R1 4-16x44

	Dimensions				
	cm/100m	in/100yd	MOA	mRad	Power
A	6,0	2,16	2,06	0,60	15x
C	29,0	10,44	9,97	2,90	15x

HV=High Velocity, designed for .264 projectile, BC .612/3225 FPS

## McWhorter MV

Meopta medium velocity ballistic compensation reticle. The McWhorter MV is in the MeoStar R1 3-12x56 and is in the 1st focal plane and is true at all powers. Designed for a .308 projectile with a BC of .508 at 3000 FPS.



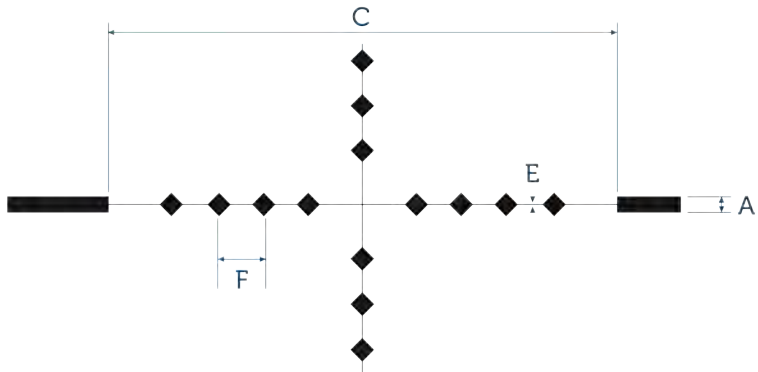
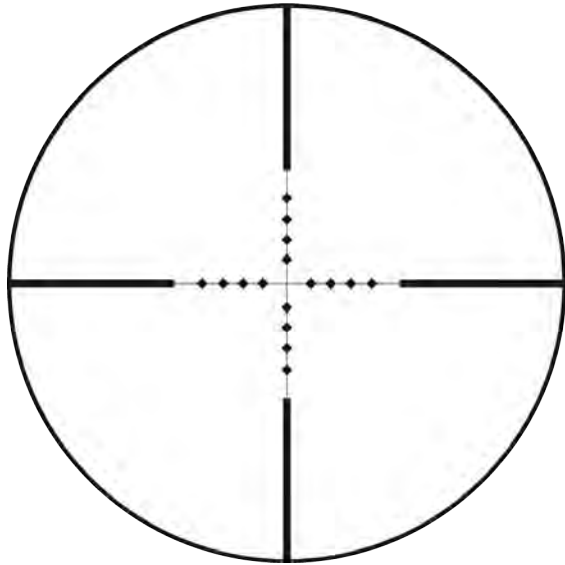
## MeoStar R1 3-12x56

	Dimensions				
	cm/100m	in/100yd	MOA	mRad	Power
A	6.0	2.16	2.06	0.60	
C	29.0	10.44	9.97	2.90	

MV=Medium Velocity, designed for .308 projectile, BC .508/3000 FPS

## MilDot

Originally used by the Marines this reticle is useful for estimating range, hold-over and windage. For long distance target shooters and hunters needing basic ranging capability.



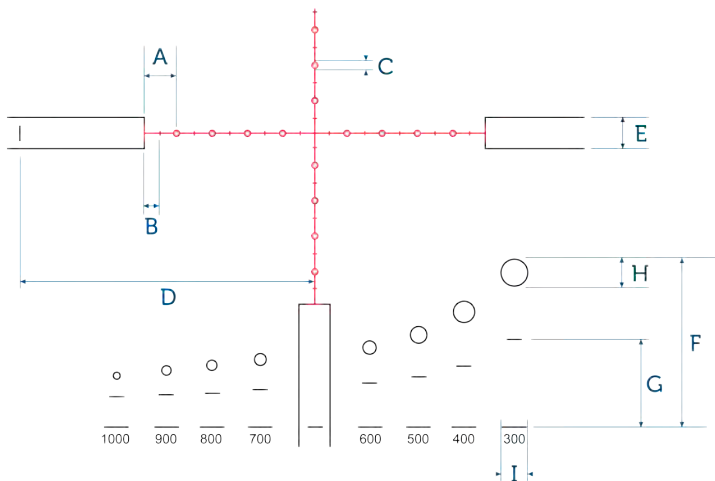
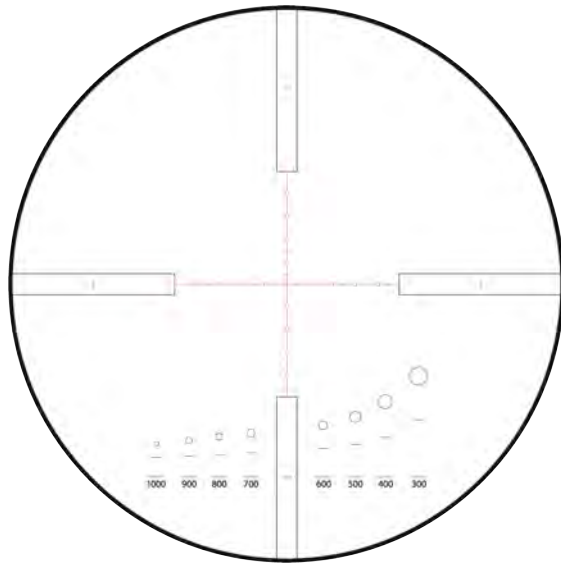
MeoPro 6-18x50  
MeoStar R1 4-16x44

	Dimensions				
	cm/100m	in/100yd	MOA	mRad	Power
A	5,0	1,80	1,72	0,50	max
C	100,0	36,00	34,38	10,00	max
E	0,3	0,11	0,10	0,03	max
F	10,0	3,60	3,44	1,00	max

## MilDot 2

RD illuminated.

Tactical ranging MilDot2 for increased accuracy and precision.



## ZD 6-24x56 RD

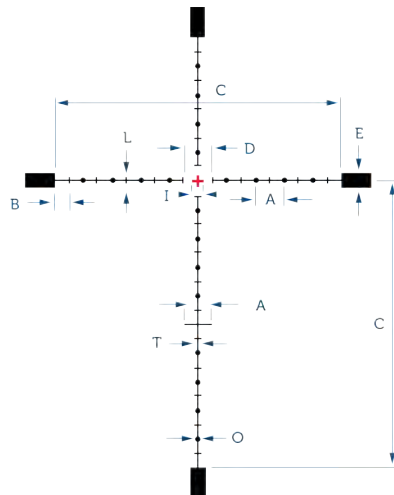
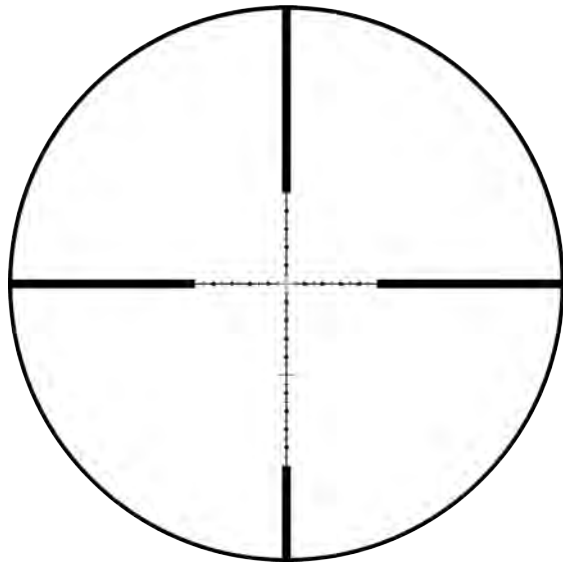
	Dimensions				
	cm/100m	in/100yd	MOA	mRad	Power
A, E, I	10,0	3,60	3,44	1,00	12x
B	5,0	1,80	1,72	0,50	12x
C	2,0	0,72	0,69	0,20	12x
D	100,0	36,00	34,38	10,00	12x
F	182,0	65,52	62,57	18,20	12x
G	100,0	36,00	34,38	10,00	12x
H	25,0	9,00	8,59	2,50	12x

Dim F,G, H are in m/distance (seen in the bottom of ranging scale).

## MilDot 3

RD illuminated.

Illuminated reticle for estimating range, hold-over and windage at long ranges.



MeoPro Optika6 5-30x56 RD FFP

MeoTac 3-12x50 RD

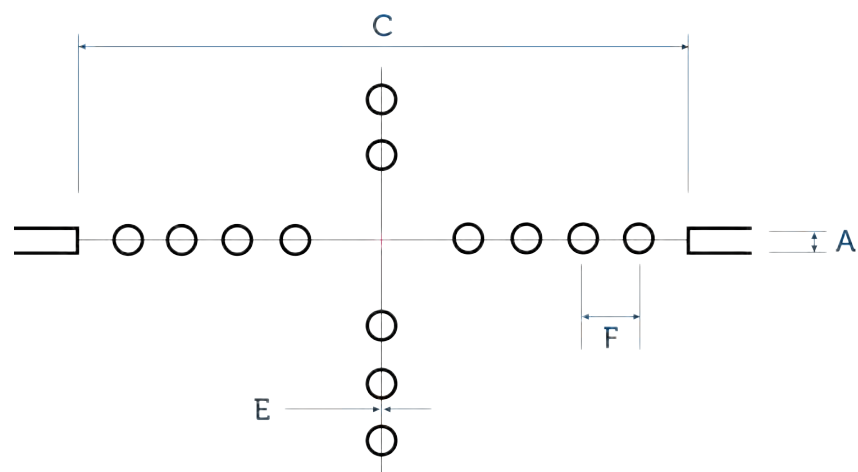
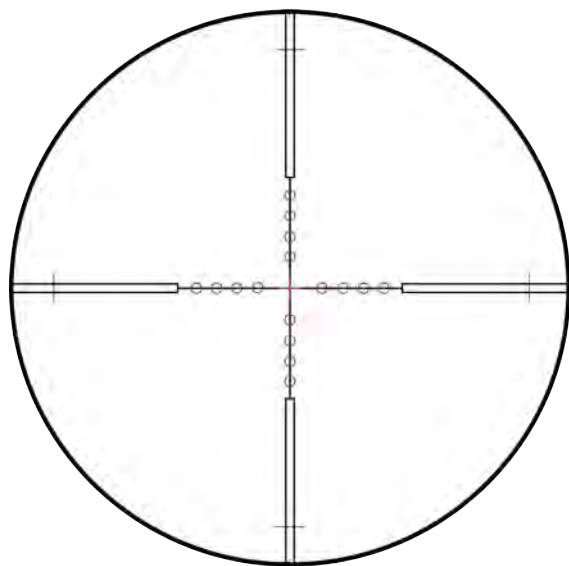
	Dimensions				
	cm/100m	in/100yd	MOA	mRad	Power
A	10,0	3,60	3,44	1,00	
B	5,0	1,80	1,72	0,50	
C	100,0	36,00	34,38	10,00	
D	10,0	3,60	3,44	1,00	
E	5,0	1,80	1,72	0,50	
I	4,0	1,44	1,38	0,40	
L	2,5	0,90	0,86	0,25	
O	2,0	0,72	0,69	0,20	
T	0,5	0,18	0,17	0,05	



## MilDot Special

RD illuminated.

Illuminated reticle for estimating range, hold-over and windage at long ranges.

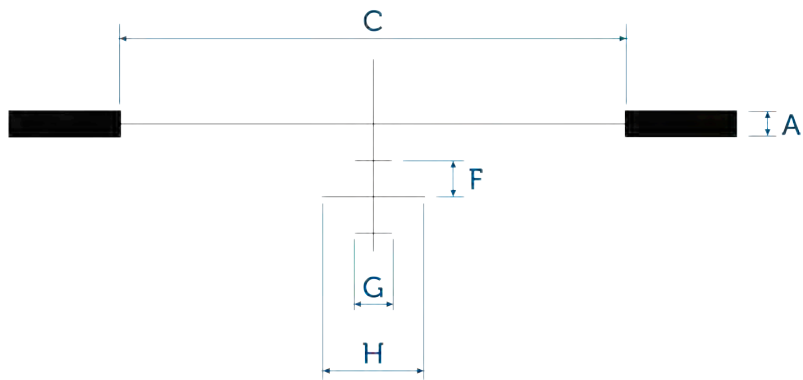
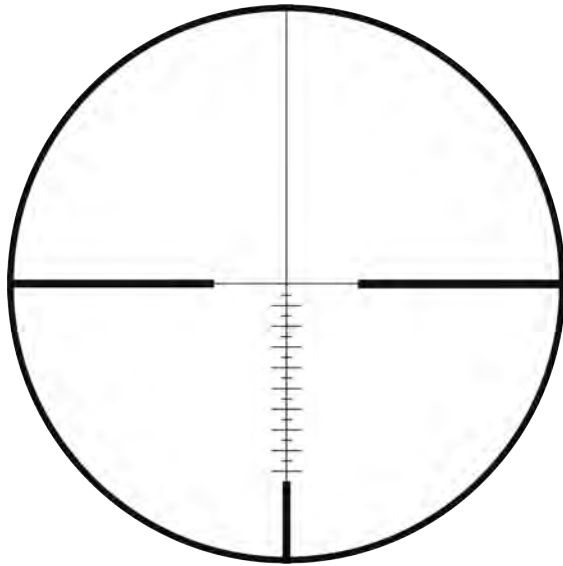


ZD 4-16x44 RD

	Dimensions				
	cm/100m	in/100yd	MOA	mRad	Power
A	2,0	0,72	0,69	0,20	14x
C	64,0	23,04	22,00	6,40	14x
E	0,2	0,07	0,07	0,02	14x
F	10,0	3,60	3,44	1,00	14x

## MMD

Designed specifically for the MeoPro series of riflescopes, the MMD reticle offers Mil Radian measurements and holdover markings on the center post for shooting at extended distances.

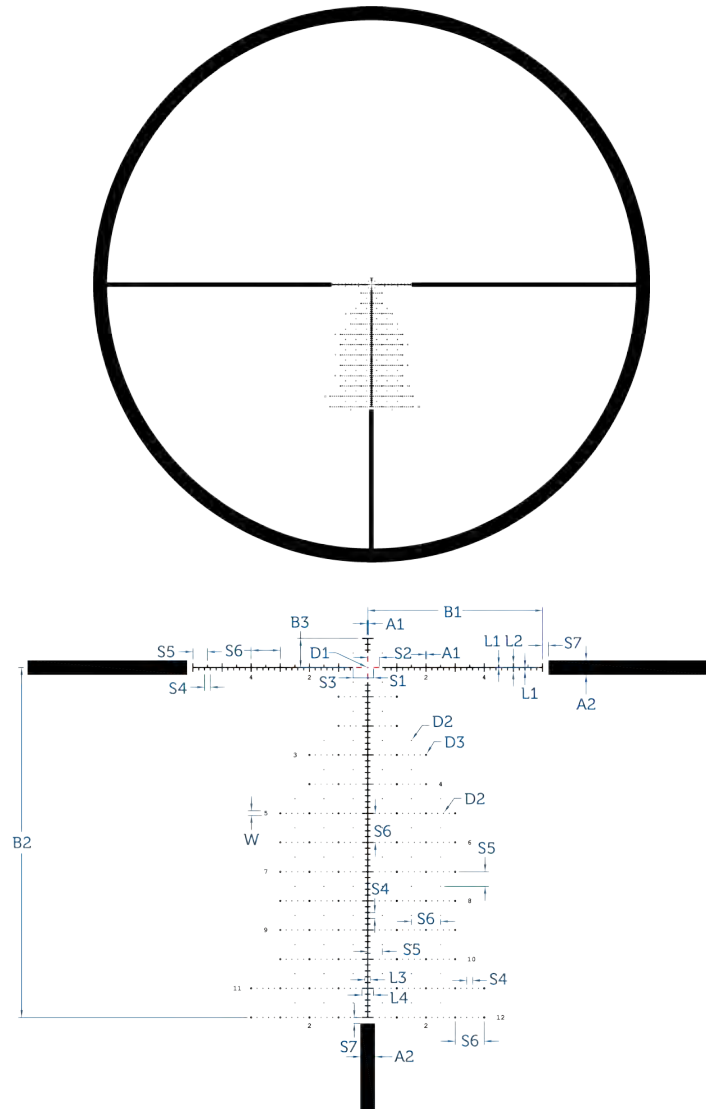


MeoPro 3-9x42  
 MeoPro 4-12x50  
 MeoStar R1 4-12x40

	Dimensions				
	cm/100m	in/100yd	MOA	mRad	Power
A	5,0	1,80	1,72	0,50	max
C	140,0	50,40	48,13	14,00	max
F	10,0	3,60	3,44	1,00	max
G	10,0	3,60	3,44	1,00	max
H	30,0	10,80	10,31	3,00	max

## MRad RD

The MRAD RD reticle is available in the 5-30x56 Optika6 rifle scope. Wind holds on the horizontal stadia are marked in 0.2 MIL increments with additional wind and elevation holds on the bottom "tree" portion of the reticle. Available in FFP only with 0.1 MIL per click windage and elevation adjustments for consistent ranging and precise adjustments.



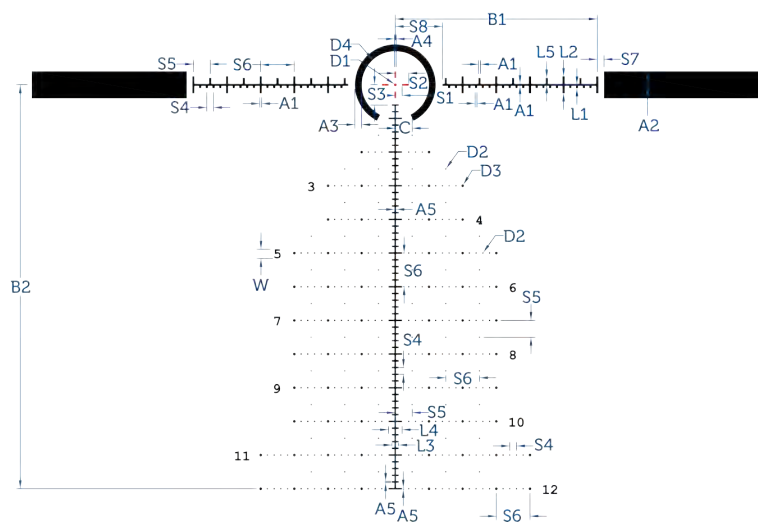
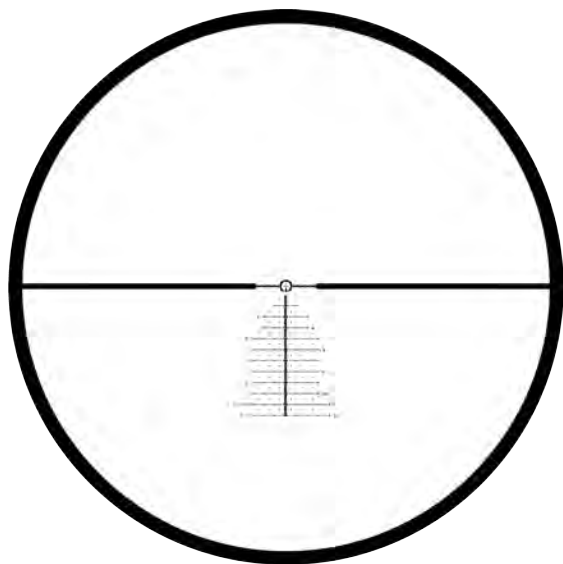
## MeoPro Optika6 5-30x56 RD FFP

	Dimensions				
	cm/100m	in/100yd	MOA	mRad	Power
A1,D2	0,4	0,14	0,14	0,04	
A2,S3,S5	5,0	1,80	1,72	0,50	
B1	60,0	21,60	20,63	6,00	
B2	120,0	43,20	41,25	12,00	
B3,S6	10,0	3,60	3,44	1,00	
D1	0,6	0,22	0,21	0,06	
D3	0,8	0,29	0,28	0,08	
L1	1,0	0,36	0,34	0,10	
L2	3,0	1,08	1,03	0,30	
L3,S1,S4,S7	2,0	0,72	0,69	0,20	
L4,S2	4,0	1,44	1,38	0,40	
W	1,5	0,54	0,52	0,15	

## MRad1 RD

RD illuminated.

Meopta's MRad 1 reticle provides long-range hunters and shooters with the ultimate in reticle features. Wind hold-offs on the vertical crosshair are graduated in 0.2 MIL steps allowing for precise aiming in full or partial value cross winds. MIL based and only available in Optika6 FFP riflescopes with MIL adjustments, the MRad 1 RD reticle provides consistent range estimating and ballistic compensation throughout the entire power range.



## MeoPro Optika6 3-18x50 RD FFP

## MeoPro Optika6 3-18x56 RD FFP

	Dimensions				
	cm/100m	in/100yd	MOA	mRad	Power
A1	0,6	0,22	0,21	0,06	
A2	8,0	2,88	2,75	0,80	
A3,L3, L5,S1, S4,S7	2,0	0,72	0,69	0,20	
A4	0,5	0,18	0,17	0,05	
A5,D2	0,4	0,14	0,14	0,04	
B1	60,0	21,60	20,63	6,00	
B2	120,0	43,20	41,25	12,00	
D1,D3	0,8	0,29	0,28	0,08	
D4	20,0	7,20	6,88	2,00	
L1	1,0	0,36	0,34	0,10	
L2,S5, C	5,0	1,80	1,72	0,50	
L4,S2	4,0	1,44	1,38	0,40	
S3	6,0	2,16	2,06	0,60	
S6	10,0	3,60	3,44	1,00	
S8	14,0	5,04	4,81	1,40	
W	2,5	0,90	0,86	0,25	

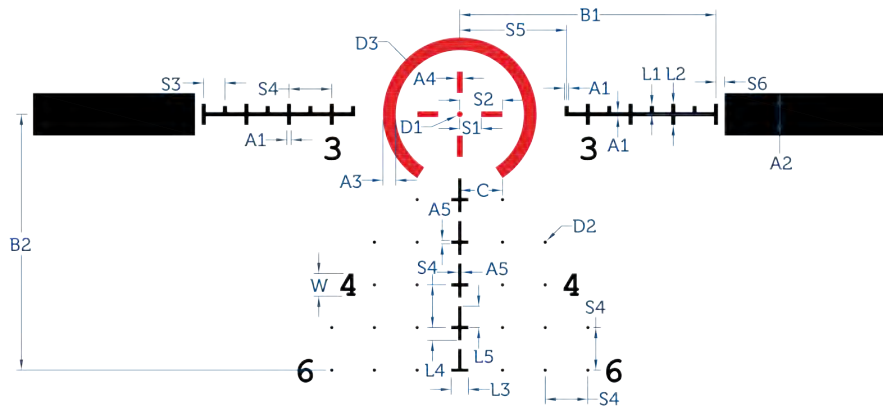
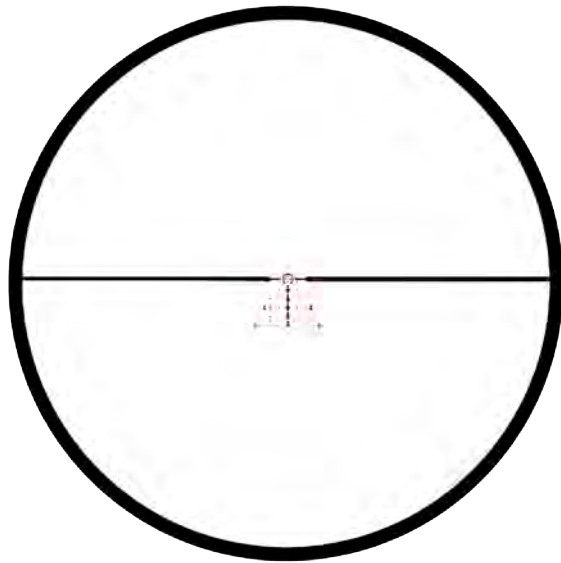
## MeoPro Optika6 4,5-27x50 RD FFP

	Dimensions				
	cm/100m	in/100yd	MOA	mRad	Power
A1	0,6	0,22	0,21	0,06	
A2	8,0	2,88	2,75	0,80	
A3,L3, L5,S1,S 4,S7	2,0	0,72	0,69	0,20	
A4,A5, D2	0,4	0,14	0,14	0,04	
B1	60,0	21,60	20,63	6,00	
B2	120,0	43,20	41,25	12,00	
D1,D3	0,8	0,29	0,28	0,08	
D4	20,0	7,20	6,88	2,00	
L1	1,0	0,36	0,34	0,10	
L2,S5, C	5,0	1,80	1,72	0,50	
L4,S2	4,0	1,44	1,38	0,40	
S3	6,0	2,16	2,06	0,60	
S6	10,0	3,60	3,44	1,00	
S8	14,0	5,04	4,81	1,40	
W	2,5	0,90	0,86	0,25	

## MRad2 RD

RD illuminated.

Meopta's MRAD 2 RD is featured in the FFP 1-6x24 Optika6. Designed for close range and extended distances, the MRAD 2 RD features a 3 MOA central horseshoe for rapid target acquisition, while the precise central aiming dot makes long range accuracy easy. Windage and elevation holds in the bottom of the reticle are designed for the trajectory of the 5.56x45, making it a perfect companion for MSRs.

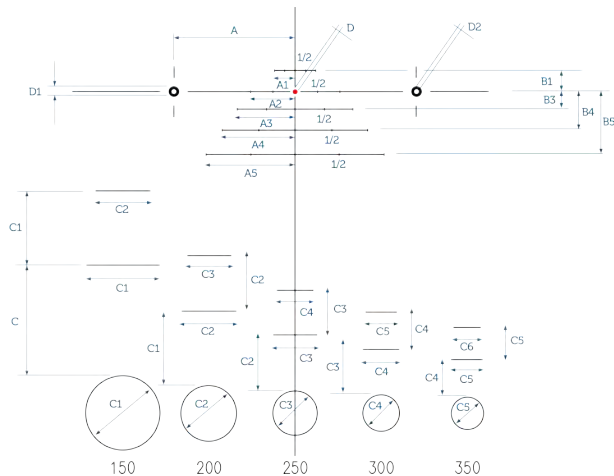
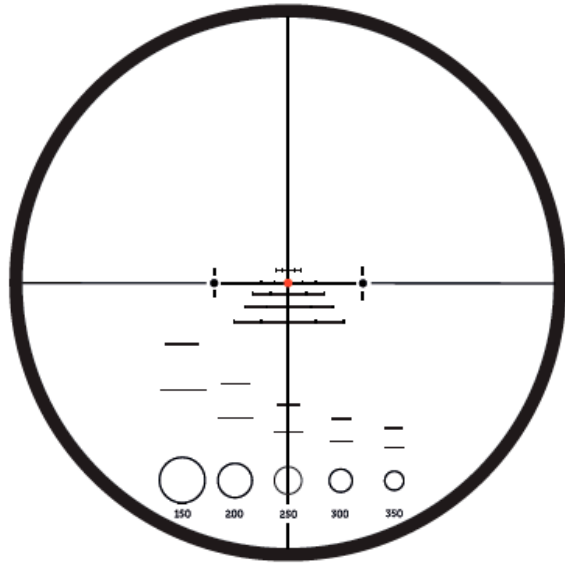


## MeoPro Optika6 1-6x24 RD FFP

	Dimensions				
	cm/100m	in/100yd	MOA	mRad	Power
A1	1,0	0,36	0,34	0,10	
A2,C,S2,S4	10,0	3,60	3,44	1,00	
A3,L4	3,0	1,08	1,03	0,30	
A4,D1	1,4	0,50	0,48	0,14	
A5,D2	0,8	0,29	0,28	0,08	
B1,B2	60,0	21,60	20,63	6,00	
D3	30,0	10,80	10,31	3,00	
L1,S6	2,0	0,72	0,69	0,20	
L2,L5,S1,S3,W	5,0	1,80	1,72	0,50	
L3	4,0	1,44	1,38	0,40	
S5	25,0	9,00	8,59	2,50	

## MT 223

The MT 223 reticle is designed for use with 52 gr. Sierra Matchking bullets. Originally intended for use in moving-target matches in Europe, the circular marks at the bottom of the reticle can be used to estimate range on wild boar size targets at the marked distances. Windage corrections are also provided for 2.5 and 5.0 meter per second wind. Available in the ZD 6-24x56 SFP rifle scope.

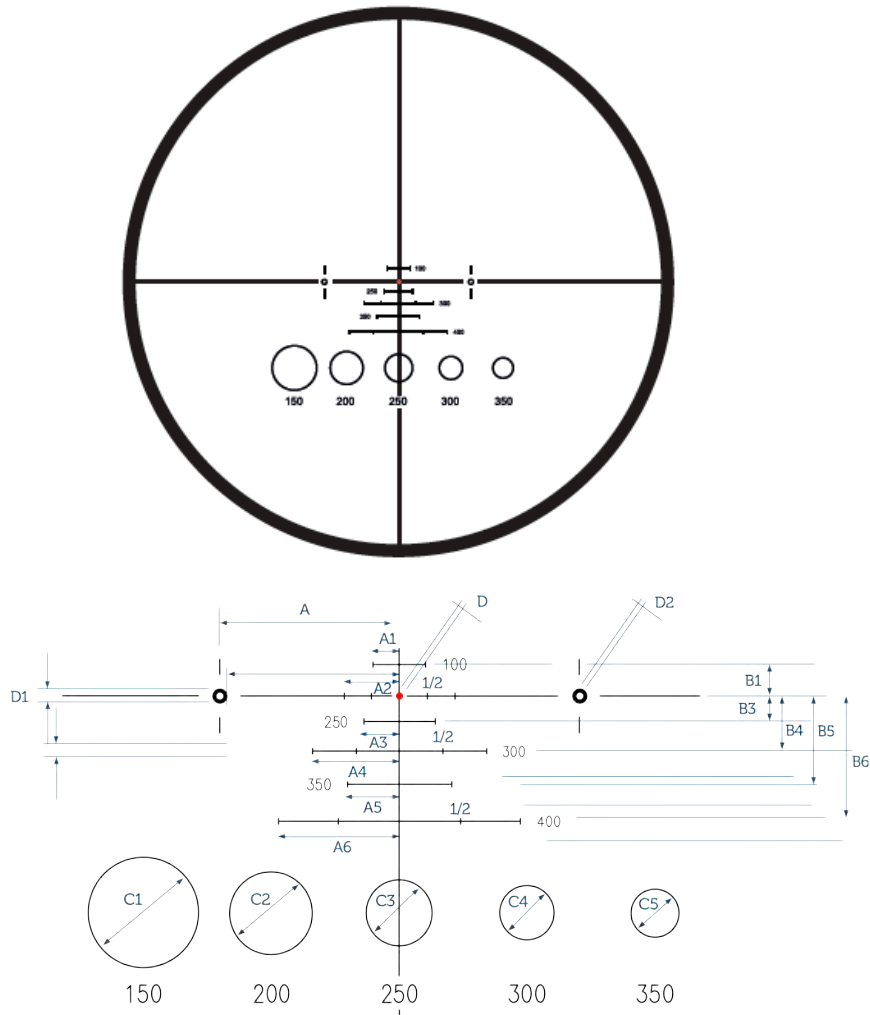


## ZD 6-24x56 RD

	Dimensions				
	cm/100m	in/100yd	MOA	mRad	Power
A	44,0	15,84	15,13	4,40	12x
A1	3,8	1,37	1,31	0,38	24x
A2	8,1	2,92	2,78	0,81	24x
A3	10,5	3,78	3,61	1,05	24x
A4	13,2	4,75	4,54	1,32	24x
A5	16,2	5,83	5,57	1,62	24x
B1	3,9	1,40	1,34	0,39	24x
B3	3,2	1,15	1,10	0,32	24x
B4	7,0	2,52	2,41	0,70	24x
B5	11,4	4,10	3,92	1,14	24x
C	20,0	7,20	6,88	2,00	24x
C1	13,3	4,79	4,57	1,33	24x
C2	10,0	3,60	3,44	1,00	24x
C3	8,0	2,88	2,75	0,80	24x
C4	6,7	2,41	2,30	0,67	24x
C5	5,7	2,05	1,96	0,57	24x
C6	2,2	0,79	0,76	0,22	24x
D	2,0	0,72	0,69	0,20	10x
D1	4,2	1,51	1,44	0,42	10x
D2	2,2	0,79	0,76	0,22	10x

## MT 308

Similar in design to the MT 223 reticle, the MT 308 is designed for moving target matches on wild boar sized targets, but using the .308 Winchester caliber. Circular marks at the bottom of the reticle provide for range estimation of targets, while wind holds and hold-offs for different target speeds are also provided. Available in the ZD 6-24x56 SFP riflescope.

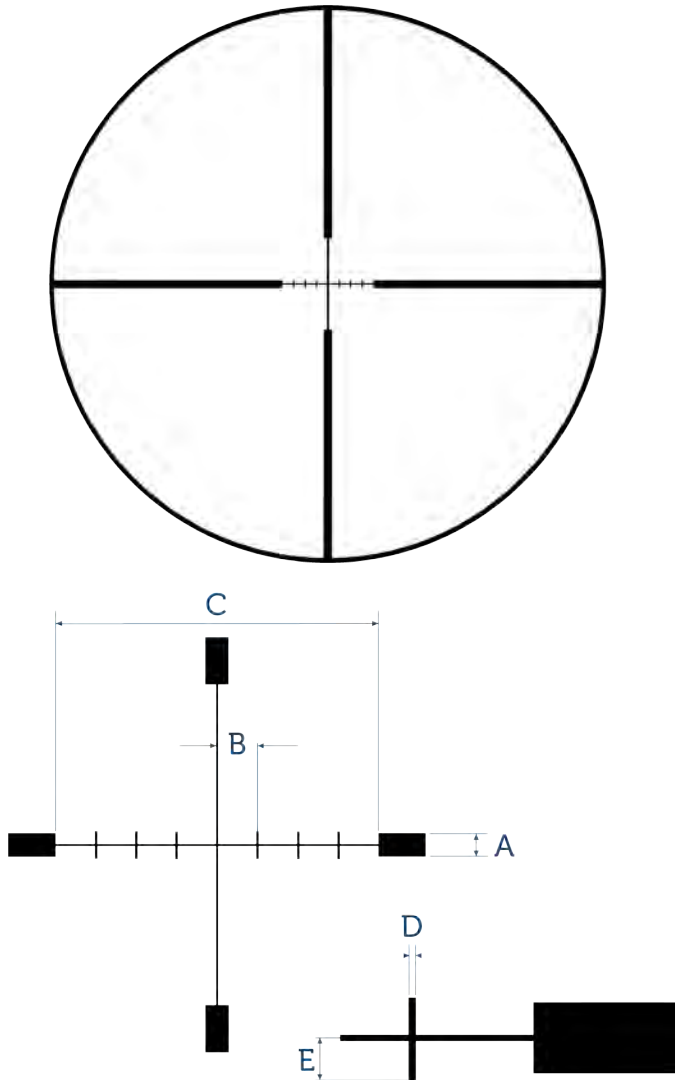


## ZD 6-24x56 RD

	Dimensions				
	cm/100m	in/100yd	MOA	mRad	Power
A	44,0	15,84	15,13	4,40	12x
A1	3,3	1,19	1,13	0,33	24x
A2	6,8	2,45	2,34	0,68	24x
A3	4,3	1,55	1,48	0,43	24x
A4	10,6	3,82	3,64	1,06	24x
A5	6,3	2,27	2,17	0,63	24x
A6	14,8	5,33	5,09	1,48	24x
B1	3,9	1,40	1,34	0,39	24x
B3	3,1	1,12	1,07	0,31	24x
B4	6,7	2,41	2,30	0,67	24x
B5	10,8	3,89	3,71	1,08	24x
B6	15,3	5,51	5,26	1,53	24x
C1	13,3	4,79	4,57	1,33	24x
C2	10,0	3,60	3,44	1,00	24x
C3	8,0	2,88	2,75	0,80	24x
C4	6,7	2,41	2,30	0,67	24x
C5	5,7	2,05	1,96	0,57	24x
D	2,0	0,72	0,69	0,20	10x
D1	4,2	1,51	1,44	0,42	10x
D2	2,2	0,79	0,76	0,22	10x

## Windmax 8

The Windmax 8 reticle features 2 MOA graduated has marks on the left and right stadia for wind hold offs at different distance. Hold offs provide for up to 8 MOA of wind correction. Available in MeoPro 6.5-20x50 SFP riflescopes.



MeoPro 6.5-20x50

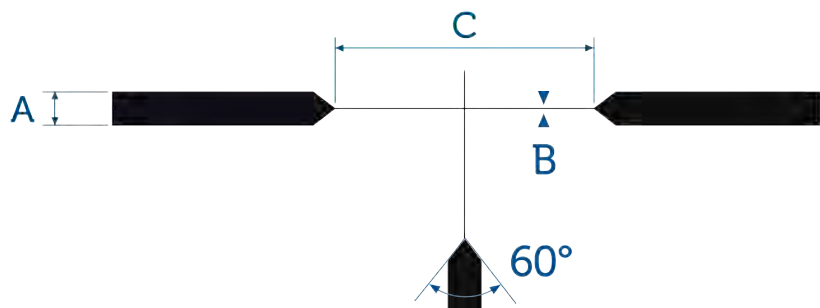
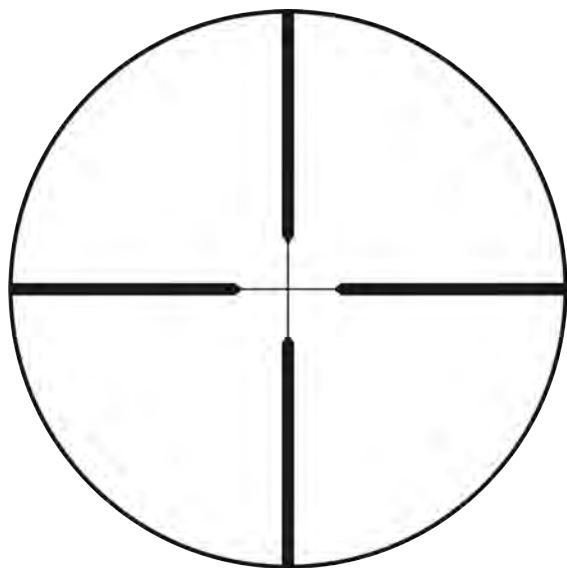
MeoPro 6.5-20x50 Target

	Dimensions				
	cm/100m	in/100yd	MOA	mRad	Power
A	4,1	1,47	1,40	0,41	14x
B	5,8	2,09	2,00	0,58	14x
C	46,5	16,76	16,00	4,65	14x
D	0,6	0,21	0,20	0,06	14x
E	2,0	0,73	0,70	0,20	14x



## ZPlex

Very popular all-purpose reticle featuring medium weight posts and fine crosshairs. Wide range of hunting applications.



### Artemis 2000 1,5-6x42

	Dimensions				
	cm/100m	in/100yd	MOA	mRad	Power
A	25,0	9,00	8,59	2,50	
C	155,0	55,80	53,28	15,50	

### MeoPro Optika6 5-30x56 FFP MeoPro Optika6 4,5-27x50 FFP

	Dimensions				
	cm/100m	in/100yd	MOA	mRad	Power
A	2,2	0,79	0,76	0,22	
B	0,5	0,18	0,17	0,05	
C	22,4	8,06	7,70	2,24	

### MeoStar R1 3-12x56

	Dimensions				
	cm/100m	in/100yd	MOA	mRad	Power
A	13,0	4,68	4,47	1,30	
C	79,0	28,44	27,16	7,90	

### MeoPro Optika6 3-18x50 FFP

	Dimensions				
	cm/100m	in/100yd	MOA	mRad	Power
A	3,3	1,19	1,13	0,33	
B	0,7	0,25	0,24	0,07	
C	33,0	11,88	11,34	3,30	

### MeoStar R1r 3-12x56

	Dimensions				
	cm/100m	in/100yd	MOA	mRad	Power
A	4,2	1,50	1,43	0,42	
C	52,2	18,79	17,94	5,22	

### MeoPro Optika6 2,5-15x44 SFP

### MeoPro Optika6 3-18x50 SFP

### MeoPro Optika6 3-18x56 SFP

	Dimensions				
	cm/100m	in/100yd	MOA	mRad	Power
A	3,3	1,19	1,13	0,33	6x
B	0,5	0,19	0,19	0,05	6x
C	33,0	11,88	11,34	3,30	6x

### MeoPro Optika6 4,5-27x50 SFP

	Dimensions				
	cm/100m	in/100yd	MOA	mRad	Power
A	3,7	1,33	1,27	0,37	6x
B	0,6	0,22	0,21	0,06	6x
C	37,5	13,50	12,89	3,75	6x

### MeoStar R1 7x56

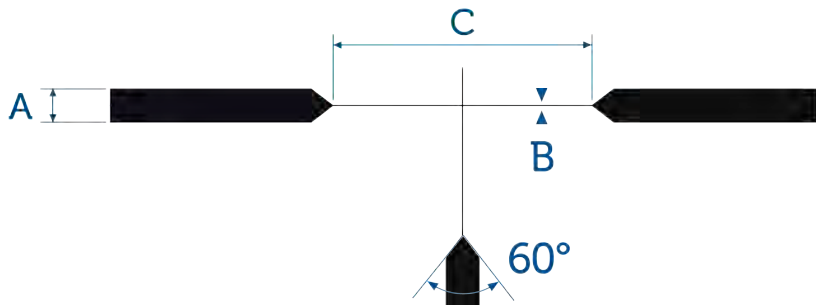
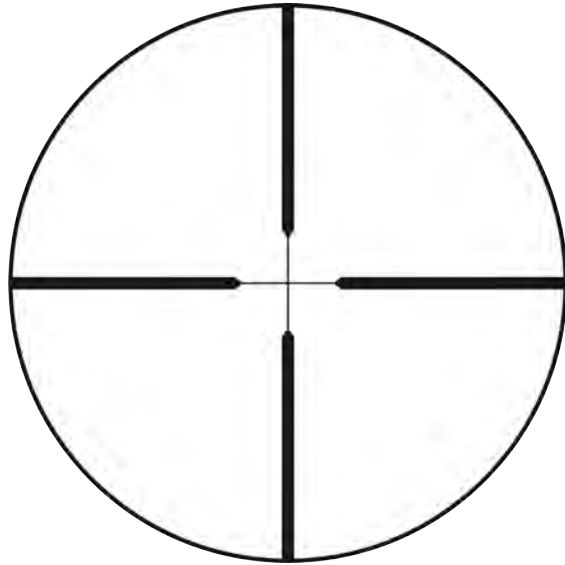
	Dimensions				
	cm/100m	in/100yd	MOA	mRad	Power
A	8,0	2,88	2,75	0,80	
C	46,0	16,56	15,81	4,60	

### MeoPro Optika6 1-6x24 FFP

	Dimensions				
	cm/100m	in/100yd	MOA	mRad	Power
A	8,9	3,20	3,06	0,89	
B	1,9	0,68	0,65	0,19	
C	89,4	32,18	30,73	8,94	

## ZPlex II

Very popular all-purpose reticle featuring medium weight posts and fine crosshairs. Wide range of hunting applications.



### MeoPro 6-18x50

	Dimensions				
	cm/100m	in/100yd	MOA	mRad	Power
A	2,0	0,72	0,69	0,20	6x
C	24,0	8,64	8,25	2,40	6x

### MeoPro 6x42

	Dimensions				
	cm/100m	in/100yd	MOA	mRad	Power
A	3,0	1,08	1,03	0,30	
C	134,0	12,24	11,69	3,40	

### MeoStar R1 1-4x22

### MeoStar R1 3-10x50

### MeoStar R1 4-12x40

	Dimensions				
	cm/100m	in/100yd	MOA	mRad	Power
A	4,0	1,44	1,38	0,40	4x
C	52,0	18,72	17,88	5,20	4x

### MeoStar R1 4-16x44

	Dimensions				
	cm/100m	in/100yd	MOA	mRad	Power
A	1,0	0,36	0,34	0,10	16x
C	13,0	4,68	4,47	1,30	16x

### MeoPro 4.5-14x44

### MeoPro 4.5-14x50

### MeoPro 6.5-20x50

### MeoPro 3-9x40

	Dimensions				
	cm/100m	in/100yd	MOA	mRad	Power
A	8,2	2,95	2,82	0,82	4x
B	1,4	0,50	0,48	0,14	4x
C	49,3	17,75	16,95	4,93	4x

	Dimensions				
	cm/100m	in/100yd	MOA	mRad	Power
A	3,7	1,33	1,27	0,37	10x
B	0,6	0,22	0,21	0,06	10x
C	50,0	18,00	17,19	5,00	10x

### MeoPro 3.5-10x44

### MeoPro 3-9x42

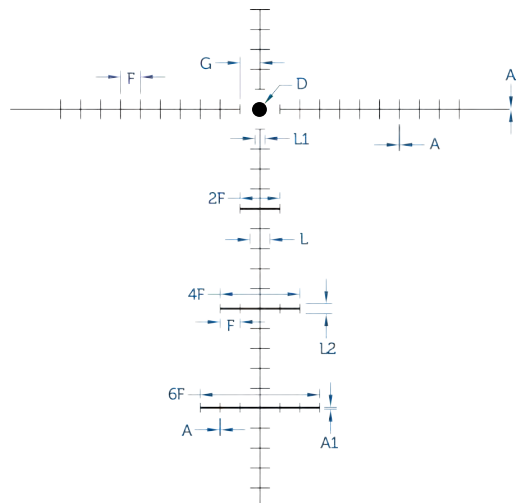
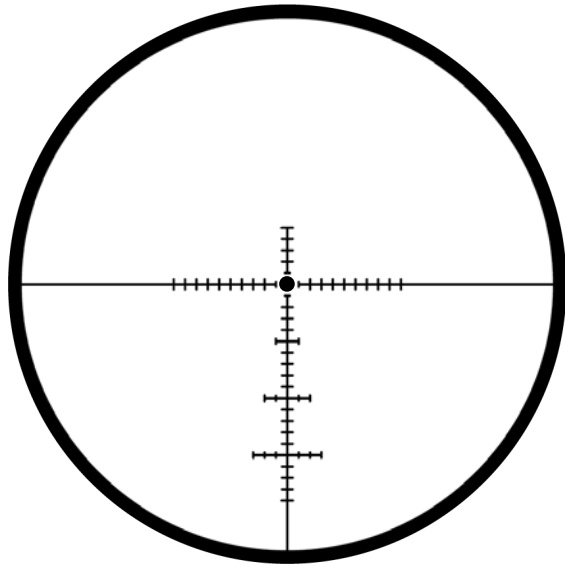
### MeoPro 3-9x50

### MeoPro 4-12x50

	Dimensions				
	cm/100m	in/100yd	MOA	mRad	Power
A	5,0	1,80	1,72	0,50	4x
C	50,0	18,00	17,19	5,00	4x

## ZPlus

The Z-Plus reticle in the Optika5 SFP riflescopes features MOA graduated wind and elevation corrections for quick corrections at the range or in the field. Paired with precise 1/4 MOA per click adjustments, the Z-Plus reticle is an excellent choice for those looking to get the most out of their favorite rifle.

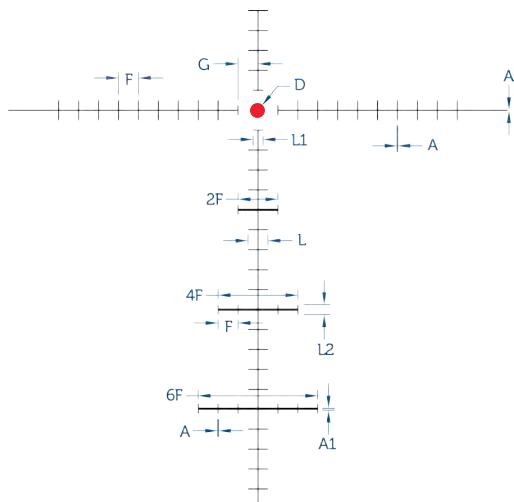
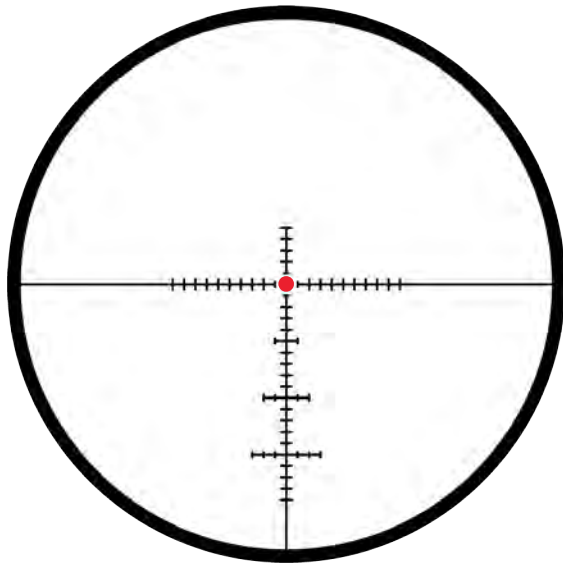


MeoPro Optika 5 2-10x42  
 MeoPro Optika5 2-10x42 Rimfire  
 MeoPro Optika5 3-15x44  
 MeoPro Optika5 4-20x44  
 MeoPro Optika5 4-20x50

	Dimensions				
	cm/100m	in/100yd	MOA	mRad	Power
A	0,6	0,21	0,20	0,06	6x
D	4,4	1,57	1,50	0,44	6x
F,G,L	14,5	5,24	5,00	1,45	6x
L1,L2	7,3	2,62	2,50	0,73	6x

## ZPlus RD

The ZPlus RD reticle features 2 MOA wind and elevation correction with an illuminated central aiming point. Available in select FFP and SFP Optika6 riflescopes with MOA adjustments, this reticle has a 3 MOA central dot in SFP versions and a 1 MOA dot in FFP versions.



### MeoPro Optika6 3-18x50 RD SFP

	Dimensions				
	cm/100m	in/100yd	MOA	mRad	Power
A	0,6	0,21	0,20	0,06	6x
D	8,7	3,14	3,00	0,87	6x
F,G,L	14,5	5,24	5,00	1,45	6x
L1,L2	7,3	2,62	2,50	0,73	6x

### MeoPro Optika6 3-18x50 RD FFP MeoPro Optika6 3-18x56 RD FFP

	Dimensions				
	cm/100m	in/100yd	MOA	mRad	Power
A	0,6	0,21	0,20	0,06	
D	4,4	1,57	1,50	0,44	
F,G,L	5,8	2,09	2,00	0,58	
L1,L2	2,9	1,05	1,00	0,29	

### MeoPro Optika5 4-20x50 RD

	Dimensions				
	cm/100m	in/100yd	MOA	mRad	Power
A	0,6	0,21	0,20	0,06	6x
D	4,4	1,57	1,50	0,44	6x
F,G,L	14,5	5,24	5,00	1,45	6x
L1,L2	7,3	2,62	2,50	0,73	6x